

- GENERAL NOTES:**
1. THIS DETAIL IS BEING PROVIDED TO ILLUSTRATE THE BASIC DESIGN OF THE OVERLY SYSTEM.
  2. PANEL SIZE DEPENDS UPON PROJECT CONDITIONS.
  3. VARIOUS MATERIAL TYPES ARE AVAILABLE.
  4. FASTENING METHODS TO MEET PROJECT REQUIREMENTS.
  5. JOB SPECIFIC DETAILING IS AVAILABLE UPON REQUEST.
  6. CONTACT OVERLY FOR CONSULTATION ON SPECIFIC CONDITIONS AND APPLICATIONS FOR YOUR PARTICULAR PROJECT.



1551 WOODWARD DRIVE EXT.  
 GREENSBURG, PA 15601-0070  
 PHONE: 724-834-7300 | FAX: 724-830-2877  
 WWW.OVERLY.COM  
 AN ISO 9001 : 2000 REGISTERED COMPANY

PROJECT:

BATTEN TYPE "C" CATALOG DETAILS

PROJECT #: BT-C CATALOG

DATE: 2012

DRAWN BY:

CHECKED BY:

SHEET TITLE:

ASSEMBLY ISOMETRIC

SCALE: NOT TO SCALE

REV: 0

SHEET #: SK-1.0

B

A

S.S. BATTEN CAP SCREW

BATTEN CAP

BATTEN ROOF PANEL

S.S. FASTENER

PANEL CLEAT

BATTEN ROOF PANEL

S.S. FASTENER

SLIDING NUT

BATTEN DRAIN BAR

**GENERAL NOTES:**

1. THIS DETAIL IS BEING PROVIDED TO ILLUSTRATE THE BASIC DESIGN OF THE OVERLY SYSTEM.
2. PANEL SIZE DEPENDS UPON PROJECT CONDITIONS.
3. VARIOUS MATERIAL TYPES ARE AVAILABLE.
4. FASTENING METHODS TO MEET PROJECT REQUIREMENTS.
5. JOB SPECIFIC DETAILING IS AVAILABLE UPON REQUEST.
6. CONTACT OVERLY FOR CONSULTATION ON SPECIFIC CONDITIONS AND APPLICATIONS FOR YOUR PARTICULAR PROJECT.



1551 WOODWARD DRIVE EXT.  
 GREENSBURG, PA 15601-0070  
 PHONE: 724-834-7300 | FAX: 724-830-2877  
 WWW.OVERLY.COM  
 AN ISO 9001 : 2000 REGISTERED COMPANY

PROJECT:

BATTEN TYPE "C" CATALOG DETAILS

PROJECT #: BT-C CATALOG

DATE: 2012

DRAWN BY:

CHECKED BY:

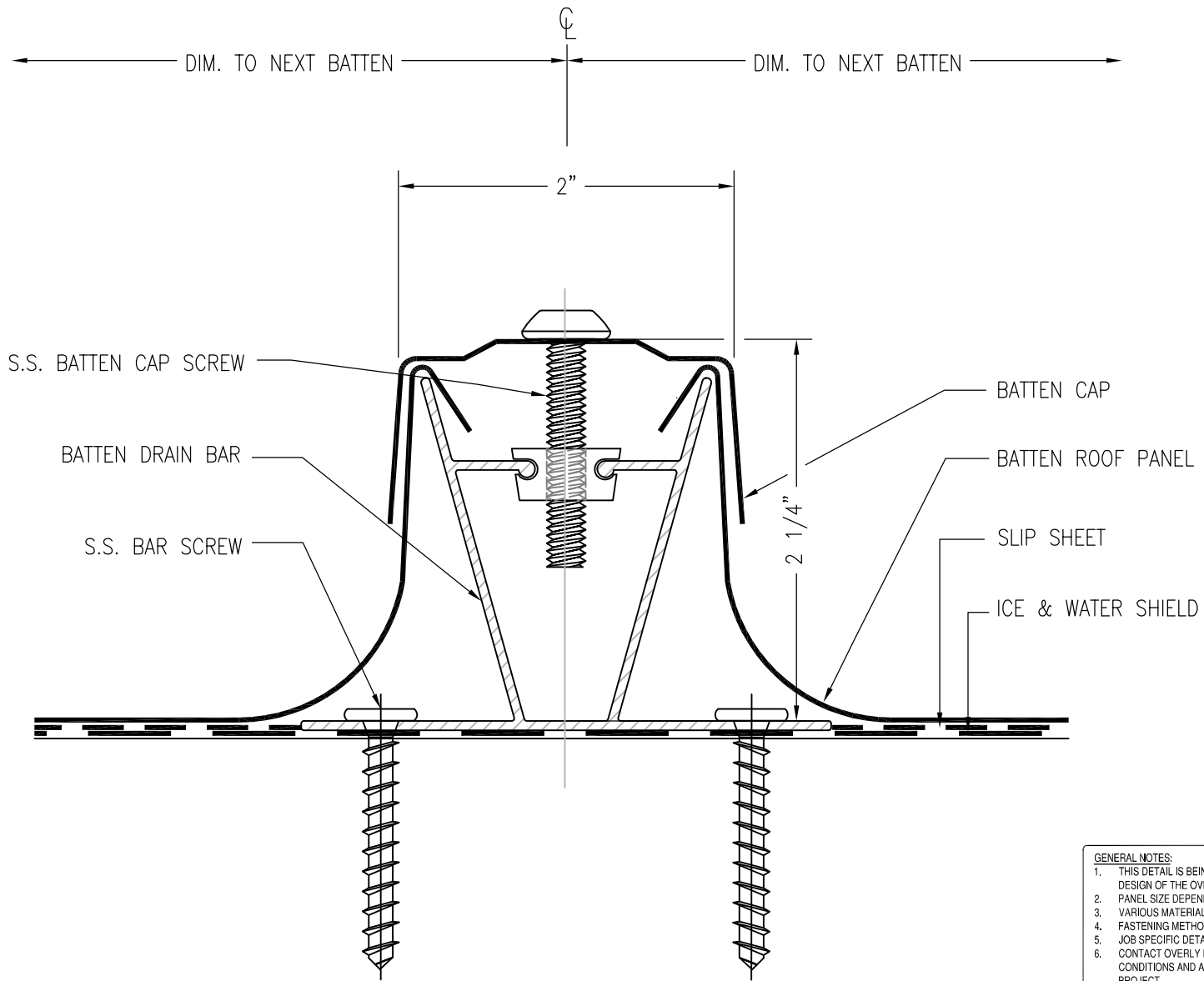
SHEET TITLE:

EXPLODED ASSEMBLY ISOMETRIC

SCALE: NOT TO SCALE

REV: 0

SHEET #: SK-2.0



- GENERAL NOTES:**
1. THIS DETAIL IS BEING PROVIDED TO ILLUSTRATE THE BASIC DESIGN OF THE OVERLY SYSTEM.
  2. PANEL SIZE DEPENDS UPON PROJECT CONDITIONS.
  3. VARIOUS MATERIAL TYPES ARE AVAILABLE.
  4. FASTENING METHODS TO MEET PROJECT REQUIREMENTS.
  5. JOB SPECIFIC DETAILING IS AVAILABLE UPON REQUEST.
  6. CONTACT OVERLY FOR CONSULTATION ON SPECIFIC CONDITIONS AND APPLICATIONS FOR YOUR PARTICULAR PROJECT.

**OVERLY**  
MANUFACTURING COMPANY

1551 WOODWARD DRIVE EXT.  
GREENSBURG, PA 15601-0070  
PHONE: 724-834-7300 | FAX: 724-830-2877  
WWW.OVERLY.COM  
AN ISO 9001 : 2000 REGISTERED COMPANY

PROJECT:

BATTEN TYPE "C" CATALOG DETAILS

SHEET TITLE:

BATTEN DETAIL

PROJECT #: BT-C CATALOG

DATE: 2012

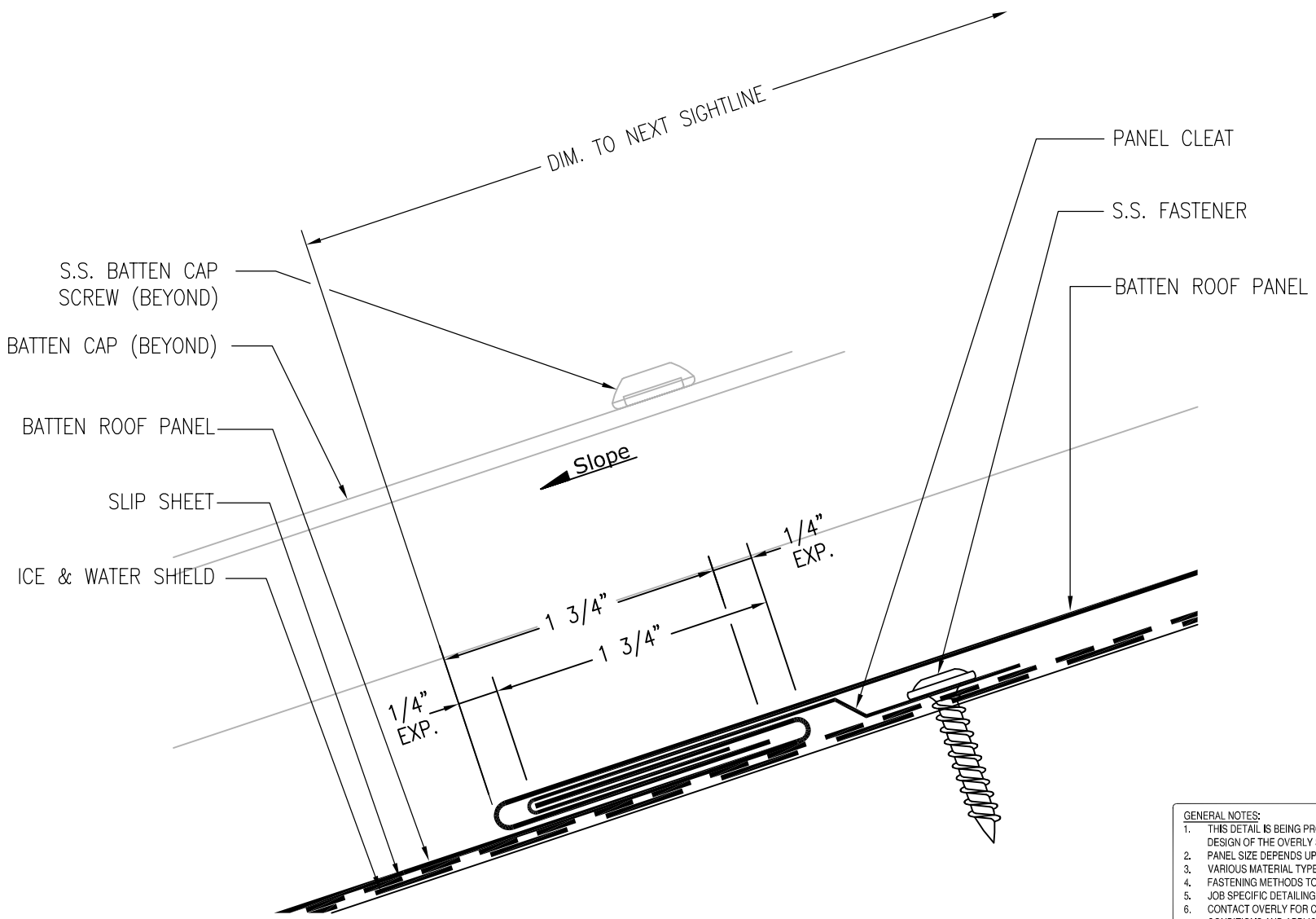
DRAWN BY:

CHECKED BY:

SCALE: NOT TO SCALE

REV: 0

SHEET #:  
SK-3.0



- GENERAL NOTES:**
1. THIS DETAIL IS BEING PROVIDED TO ILLUSTRATE THE BASIC DESIGN OF THE OVERLY SYSTEM.
  2. PANEL SIZE DEPENDS UPON PROJECT CONDITIONS.
  3. VARIOUS MATERIAL TYPES ARE AVAILABLE.
  4. FASTENING METHODS TO MEET PROJECT REQUIREMENTS. JOB SPECIFIC DETAILING IS AVAILABLE UPON REQUEST.
  5. CONTACT OVERLY FOR CONSULTATION ON SPECIFIC CONDITIONS AND APPLICATIONS FOR YOUR PARTICULAR PROJECT.



1551 WOODWARD DRIVE EXT.  
 GREENSBURG, PA 15601-0070  
 PHONE: 724-834-7300 | FAX: 724-830-2877  
 WWW.OVERLY.COM  
 AN ISO 9001 : 2000 REGISTERED COMPANY

PROJECT: **BATTEN TYPE "C" CATALOG DETAILS**

SHEET TITLE: **TRANSVERSE SEAM DETAIL**

PROJECT #:	BT-C CATALOG
DATE:	2012
DRAWN BY:	
CHECKED BY:	
SCALE:	NOT TO SCALE
REV:	0
SHEET #:	SK-4.0

S.S. BATTEN CAP SCREW (BEYOND)

BATTEN CAP (BEYOND)

BATTEN ROOF PANEL

1/4" EXP.

1 3/4"

1/4" EXP.

1 3/4"

1 3/4"

S.S. FASTENER

STARTER STRIP

SLIP SHEET

SHEET CLEAT

ICE & WATER SHIELD

S.S. FASTENER

CONTINUOUS CLEAT

- GENERAL NOTES:
1. THIS DETAIL IS BEING PROVIDED TO ILLUSTRATE THE BASIC DESIGN OF THE OVERLY SYSTEM.
  2. PANEL SIZE DEPENDS UPON PROJECT CONDITIONS.
  3. VARIOUS MATERIAL TYPES ARE AVAILABLE.
  4. FASTENING METHODS TO MEET PROJECT REQUIREMENTS.
  5. JOB SPECIFIC DETAILING IS AVAILABLE UPON REQUEST.
  6. CONTACT OVERLY FOR CONSULTATION ON SPECIFIC CONDITIONS AND APPLICATIONS FOR YOUR PARTICULAR PROJECT.



1551 WOODWARD DRIVE EXT.  
 GREENSBURG, PA 15601-0070  
 PHONE: 724-834-7300 | FAX: 724-830-2877  
 WWW.OVERLY.COM  
 AN ISO 9001 : 2000 REGISTERED COMPANY

PROJECT:

BATTEN TYPE "C" CATALOG DETAILS

PROJECT #: BT-C CATALOG

DATE: 2012

DRAWN BY:

CHECKED BY:

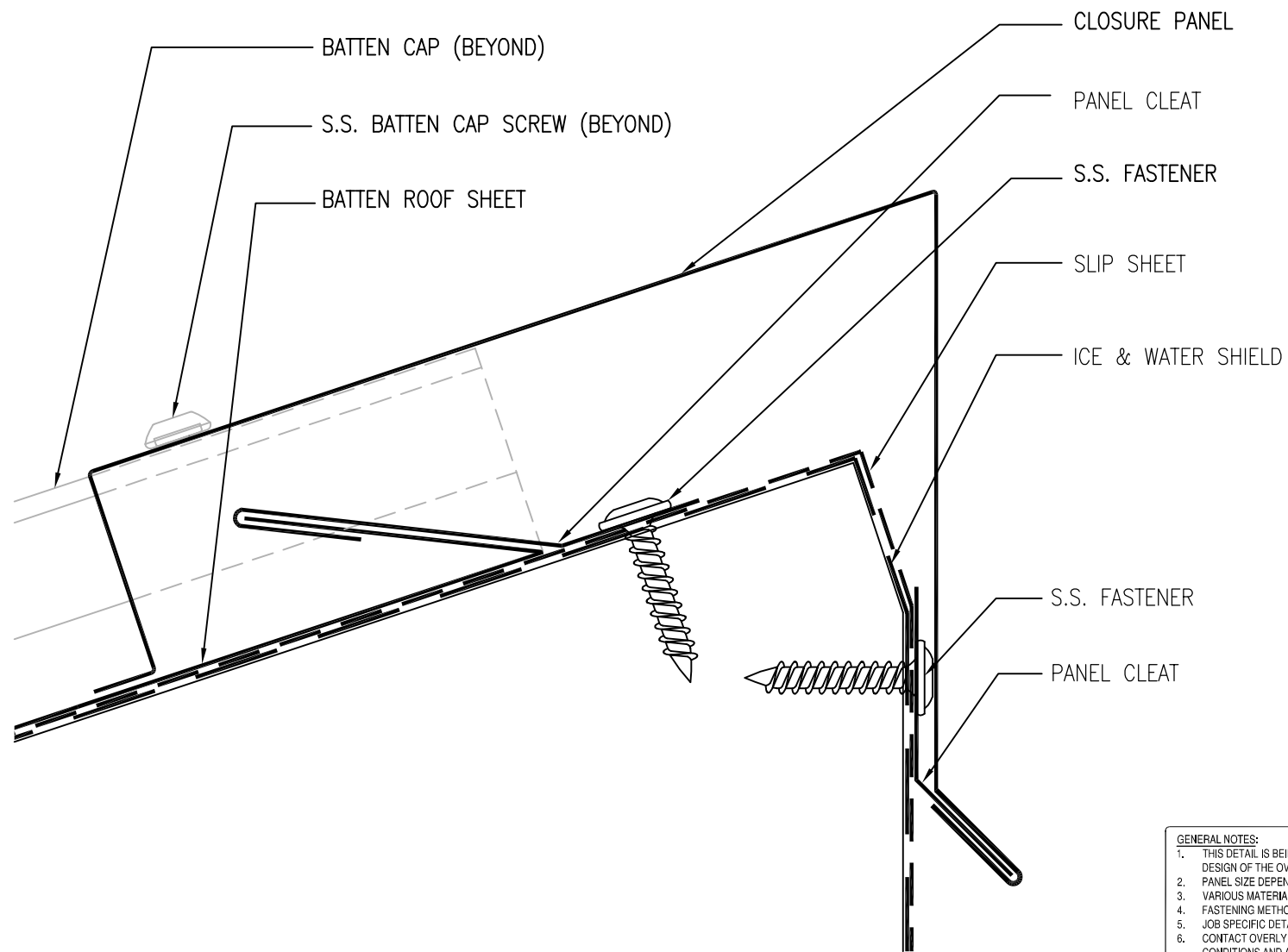
SHEET TITLE:

STARTER FLASHING DETAIL

SCALE: NOT TO SCALE

REV: 0

SHEET #: SK-5.0



**GENERAL NOTES:**

1. THIS DETAIL IS BEING PROVIDED TO ILLUSTRATE THE BASIC DESIGN OF THE OVERLY SYSTEM.
2. PANEL SIZE DEPENDS UPON PROJECT CONDITIONS.
3. VARIOUS MATERIAL TYPES ARE AVAILABLE.
4. FASTENING METHODS TO MEET PROJECT REQUIREMENTS.
5. JOB SPECIFIC DETAILING IS AVAILABLE UPON REQUEST.
6. CONTACT OVERLY FOR CONSULTATION ON SPECIFIC CONDITIONS AND APPLICATIONS FOR YOUR PARTICULAR PROJECT.



1551 WOODWARD DRIVE EXT.  
 GREENSBURG, PA 15601-0070  
 PHONE: 724-834-7300 | FAX: 724-830-2877  
 WWW.OVERLY.COM  
 AN ISO 9001 : 2000 REGISTERED COMPANY

PROJECT:

**BATTEN TYPE "C" CATALOG DETAILS**

SHEET TITLE:

**CLOSURE DETAIL**

PROJECT #: BT-C CATALOG

DATE: 2012

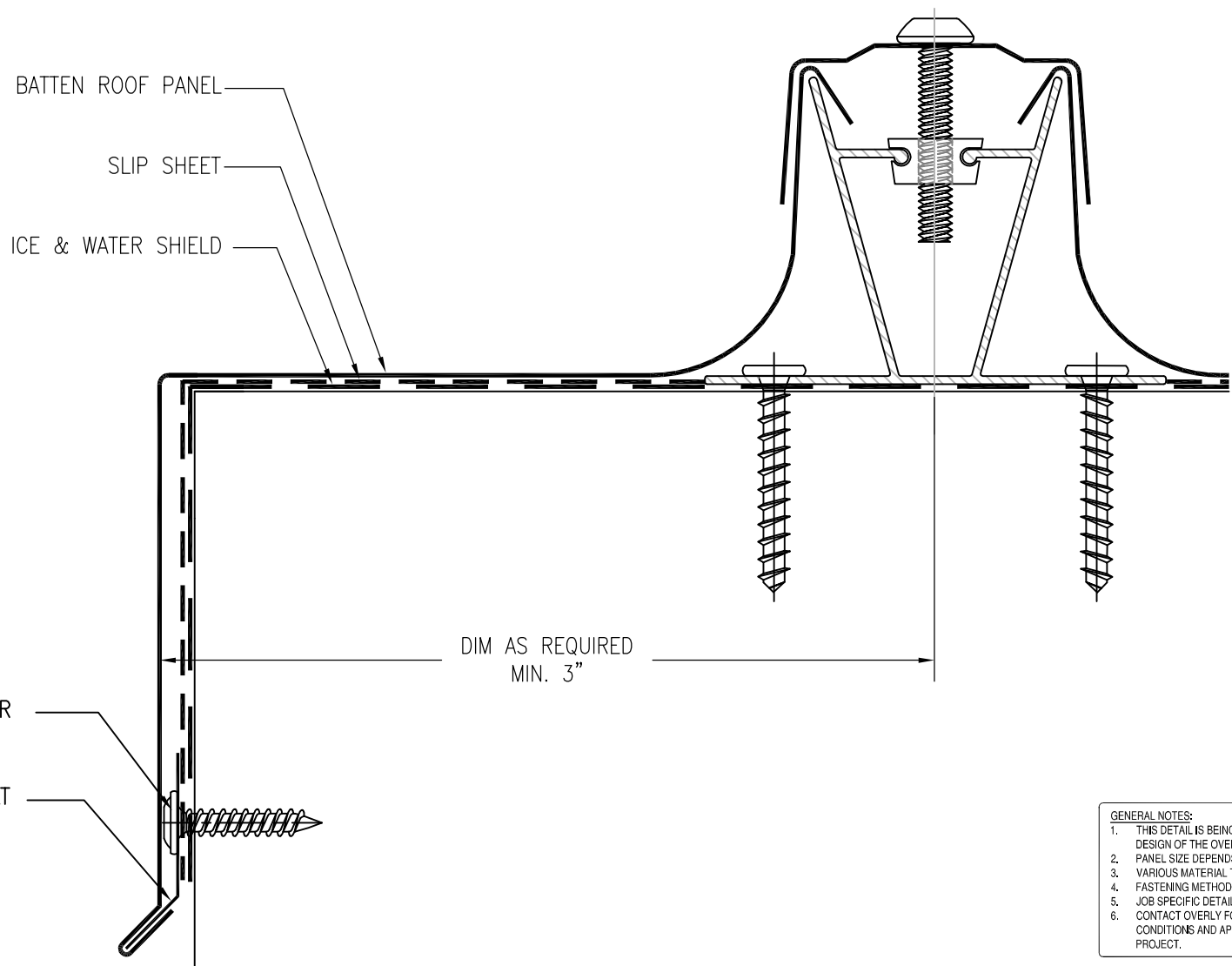
DRAWN BY:

CHECKED BY:

SCALE: NOT TO SCALE

REV: 0

SHEET #: SK-6.0



- GENERAL NOTES:
1. THIS DETAIL IS BEING PROVIDED TO ILLUSTRATE THE BASIC DESIGN OF THE OVERLY SYSTEM.
  2. PANEL SIZE DEPENDS UPON PROJECT CONDITIONS.
  3. VARIOUS MATERIAL TYPES ARE AVAILABLE.
  4. FASTENING METHODS TO MEET PROJECT REQUIREMENTS.
  5. JOB SPECIFIC DETAILING IS AVAILABLE UPON REQUEST.
  6. CONTACT OVERLY FOR CONSULTATION ON SPECIFIC CONDITIONS AND APPLICATIONS FOR YOUR PARTICULAR PROJECT.



1551 WOODWARD DRIVE EXT.  
 GREENSBURG, PA 15601-0070  
 PHONE: 724-834-7300 | FAX: 724-830-2877  
 WWW.OVERLY.COM  
 AN ISO 9001 : 2000 REGISTERED COMPANY

PROJECT:

BATTEN TYPE "C" CATALOG DETAILS

SHEET TITLE:

RAKE FLASHING DETAIL

PROJECT #: BT-C CATALOG

DATE: 2012

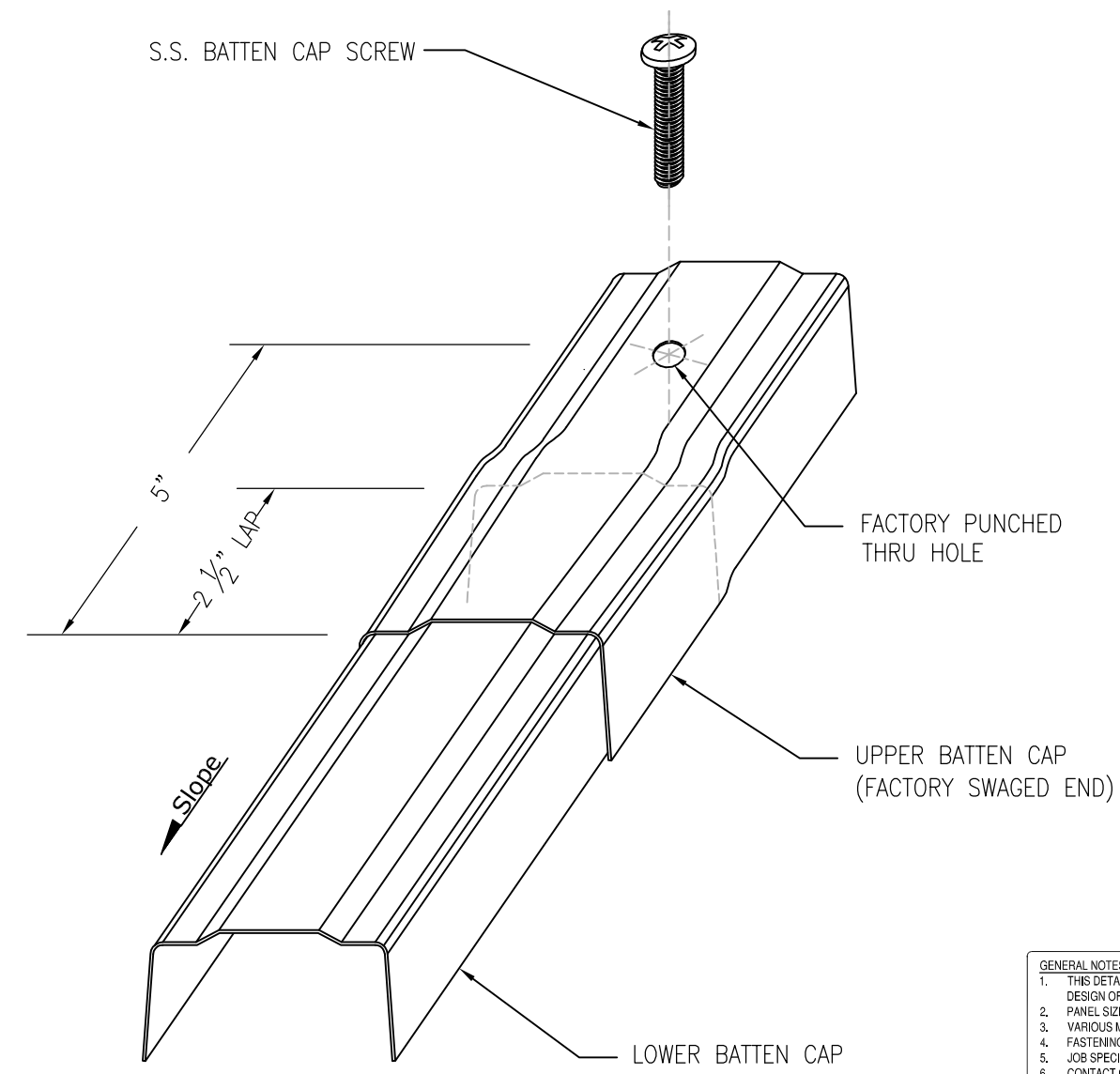
DRAWN BY:

CHECKED BY:

SCALE: NOT TO SCALE

REV: 0

SHEET #: SK-7.0



- GENERAL NOTES:**
1. THIS DETAIL IS BEING PROVIDED TO ILLUSTRATE THE BASIC DESIGN OF THE OVERLY SYSTEM.
  2. PANEL SIZE DEPENDS UPON PROJECT CONDITIONS.
  3. VARIOUS MATERIAL TYPES ARE AVAILABLE.
  4. FASTENING METHODS TO MEET PROJECT REQUIREMENTS.
  5. JOB SPECIFIC DETAILING IS AVAILABLE UPON REQUEST.
  6. CONTACT OVERLY FOR CONSULTATION ON SPECIFIC CONDITIONS AND APPLICATIONS FOR YOUR PARTICULAR PROJECT.



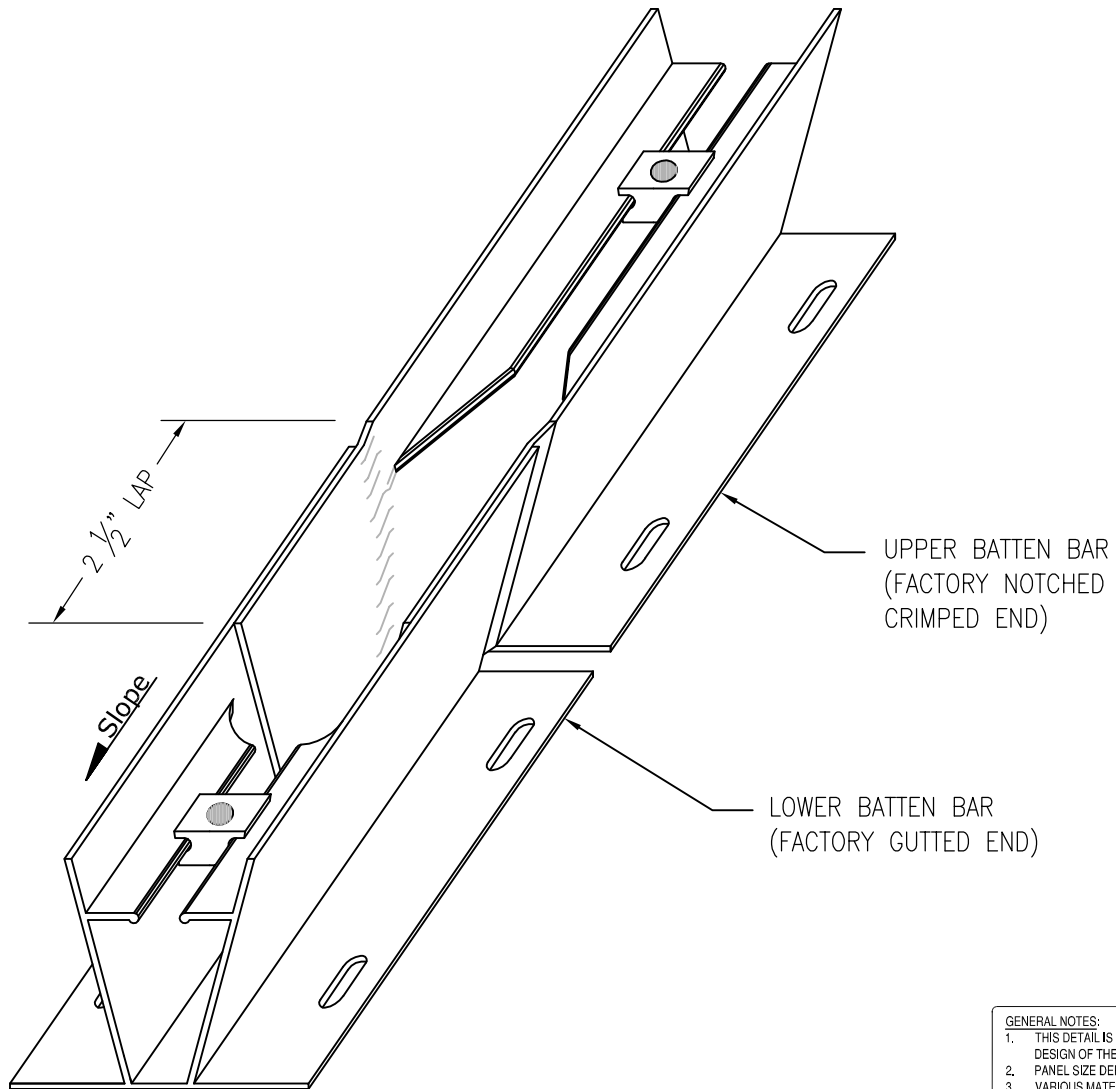
1551 WOODWARD DRIVE EXT.  
 GREENSBURG, PA 15601-0070  
 PHONE: 724-834-7300 | FAX: 724-830-2877  
 WWW.OVERLY.COM  
 AN ISO 9001 : 2000 REGISTERED COMPANY

PROJECT: **BATTEN TYPE "C" CATALOG DETAILS**

SHEET TITLE: **CAP JOINT ISOMETRIC**

PROJECT #:	BT-C CATALOG
DATE:	2012
DRAWN BY:	
CHECKED BY:	
SCALE:	NOT TO SCALE
REV:	SHEET #:
0	SK-8.0





- GENERAL NOTES:**
1. THIS DETAIL IS BEING PROVIDED TO ILLUSTRATE THE BASIC DESIGN OF THE OVERLY SYSTEM.
  2. PANEL SIZE DEPENDS UPON PROJECT CONDITIONS.
  3. VARIOUS MATERIAL TYPES ARE AVAILABLE.
  4. FASTENING METHODS TO MEET PROJECT REQUIREMENTS.
  5. JOB SPECIFIC DETAILING IS AVAILABLE UPON REQUEST.
  6. CONTACT OVERLY FOR CONSULTATION ON SPECIFIC CONDITIONS AND APPLICATIONS FOR YOUR PARTICULAR PROJECT.



1551 WOODWARD DRIVE EXT.  
 GREENSBURG, PA 15601-0070  
 PHONE: 724-834-7300 | FAX: 724-830-2877  
 WWW.OVERLY.COM  
 AN ISO 9001 : 2000 REGISTERED COMPANY

PROJECT:

**BATTEN TYPE "C" CATALOG DETAILS**

SHEET TITLE:

**BAR JOINT ISOMETRIC**

PROJECT #: BT-C CATALOG

DATE: 2012

DRAWN BY:

CHECKED BY:

SCALE: NOT TO SCALE

REV: 0

SHEET #: SK-9.0