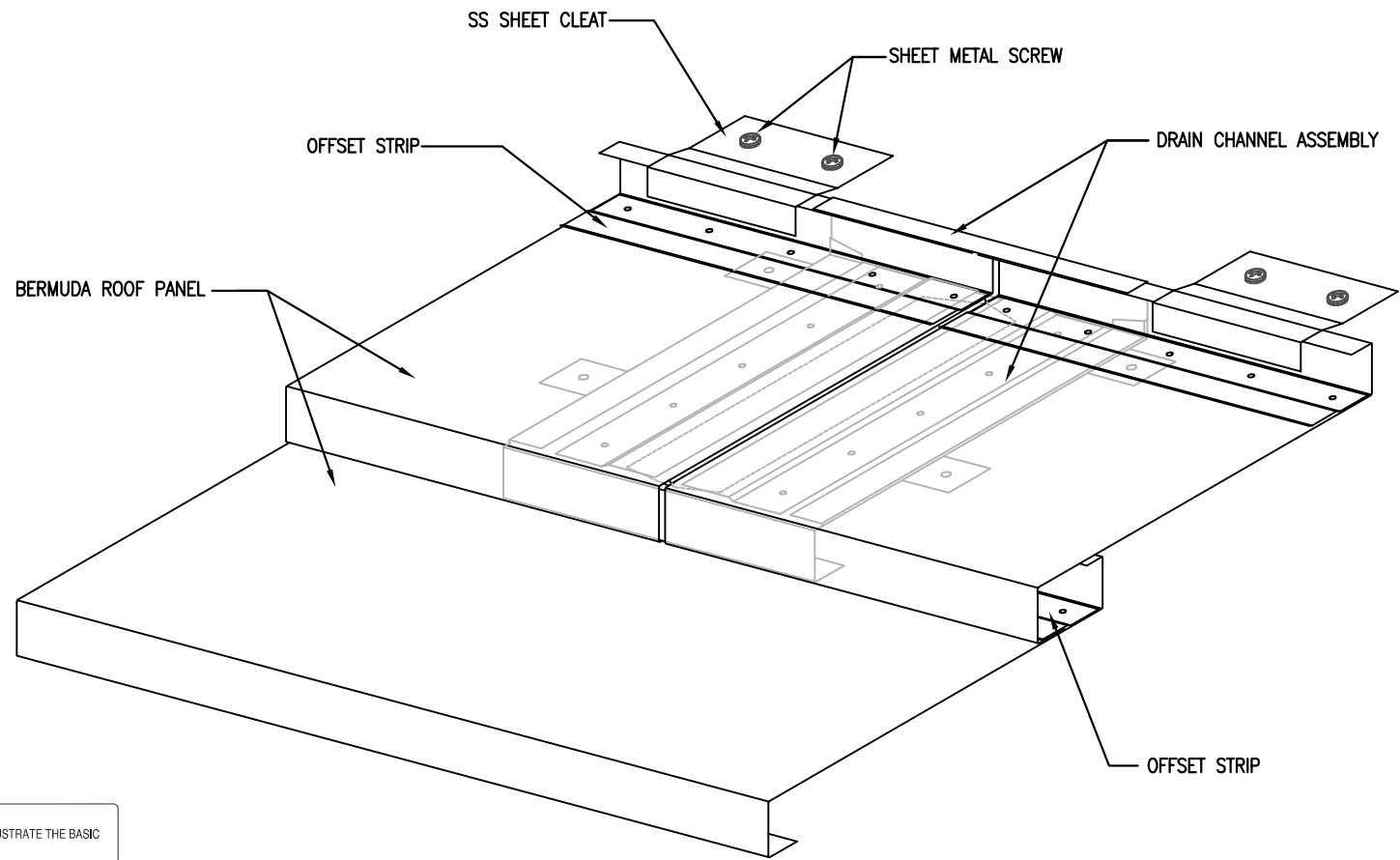


B

A



- GENERAL NOTES:**
1. THIS DETAIL IS BEING PROVIDED TO ILLUSTRATE THE BASIC DESIGN OF THE OVERLY SYSTEM.
 2. PANEL SIZE DEPENDS UPON PROJECT CONDITIONS.
 3. VARIOUS MATERIAL TYPES ARE AVAILABLE.
 4. FASTENING METHODS TO MEET PROJECT REQUIREMENTS.
 5. JOB SPECIFIC DETAILING IS AVAILABLE UPON REQUEST.
 6. CONTACT OVERLY FOR CONSULTATION ON SPECIFIC CONDITIONS AND APPLICATIONS FOR YOUR PARTICULAR PROJECT.



1551 WOODWARD DRIVE EXT.
 GREENSBURG, PA 15601-0070
 PHONE: 724-834-7300 | FAX: 724-830-2877
 WWW.OVERLY.COM
 AN ISO 9001 : 2000 REGISTERED COMPANY

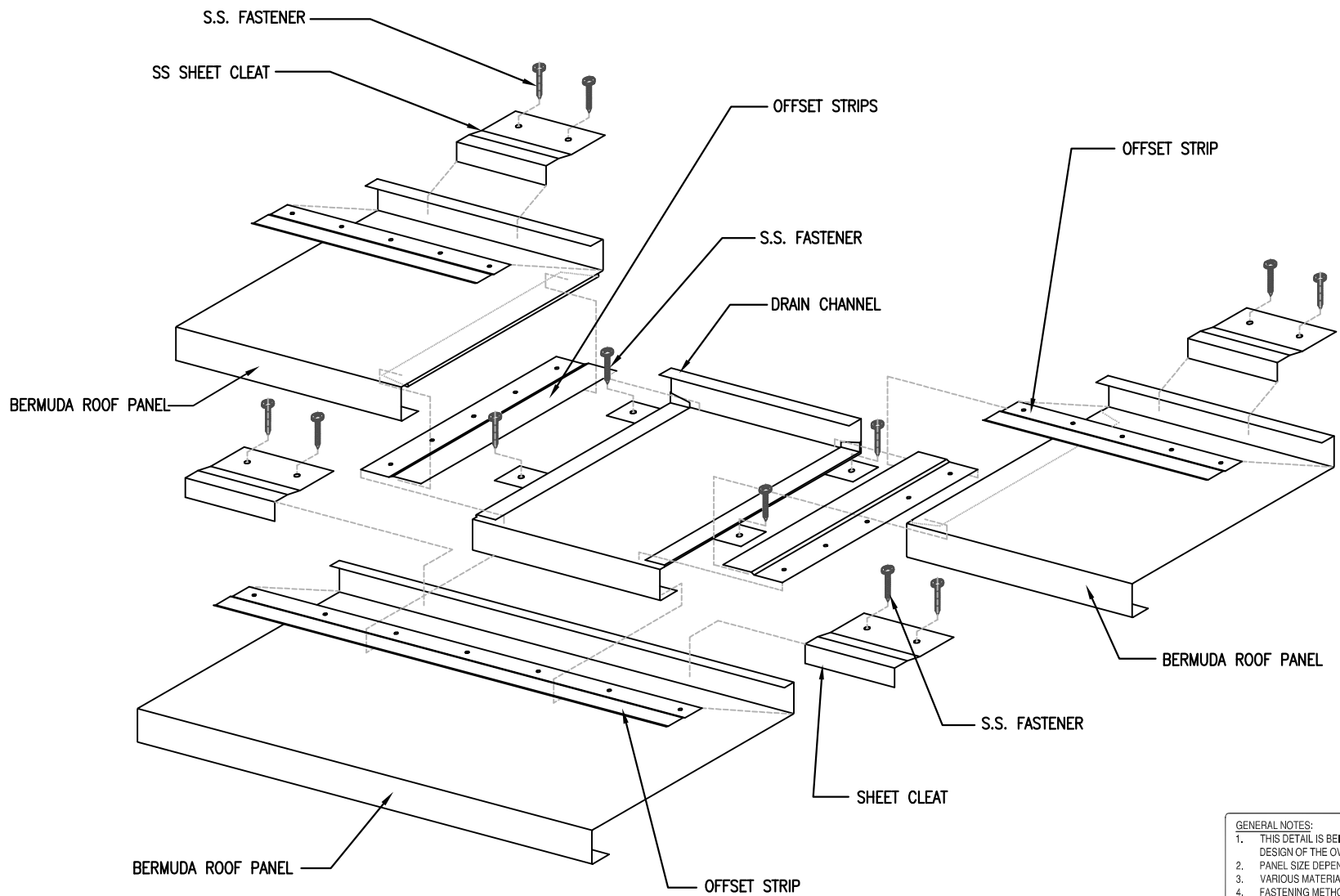
PROJECT: BERMUDA CATALOG DETAILS

SHEET TITLE: ASSEMBLY ISOMETRIC

| | |
|-------------|------------|
| PROJECT #: | BR CATALOG |
| DATE: | 2012 |
| DRAWN BY: | |
| CHECKED BY: | |
| SCALE: | N.T.S. |
| REV: | 0 |
| SHEET #: | SK-1.0 |

B

A



- GENERAL NOTES:**
1. THIS DETAIL IS BEING PROVIDED TO ILLUSTRATE THE BASIC DESIGN OF THE OVERLY SYSTEM.
 2. PANEL SIZE DEPENDS UPON PROJECT CONDITIONS.
 3. VARIOUS MATERIAL TYPES ARE AVAILABLE.
 4. FASTENING METHODS TO MEET PROJECT REQUIREMENTS.
 5. JOB SPECIFIC DETAILING IS AVAILABLE UPON REQUEST.
 6. CONTACT OVERLY FOR CONSULTATION ON SPECIFIC CONDITIONS AND APPLICATIONS FOR YOUR PARTICULAR PROJECT.

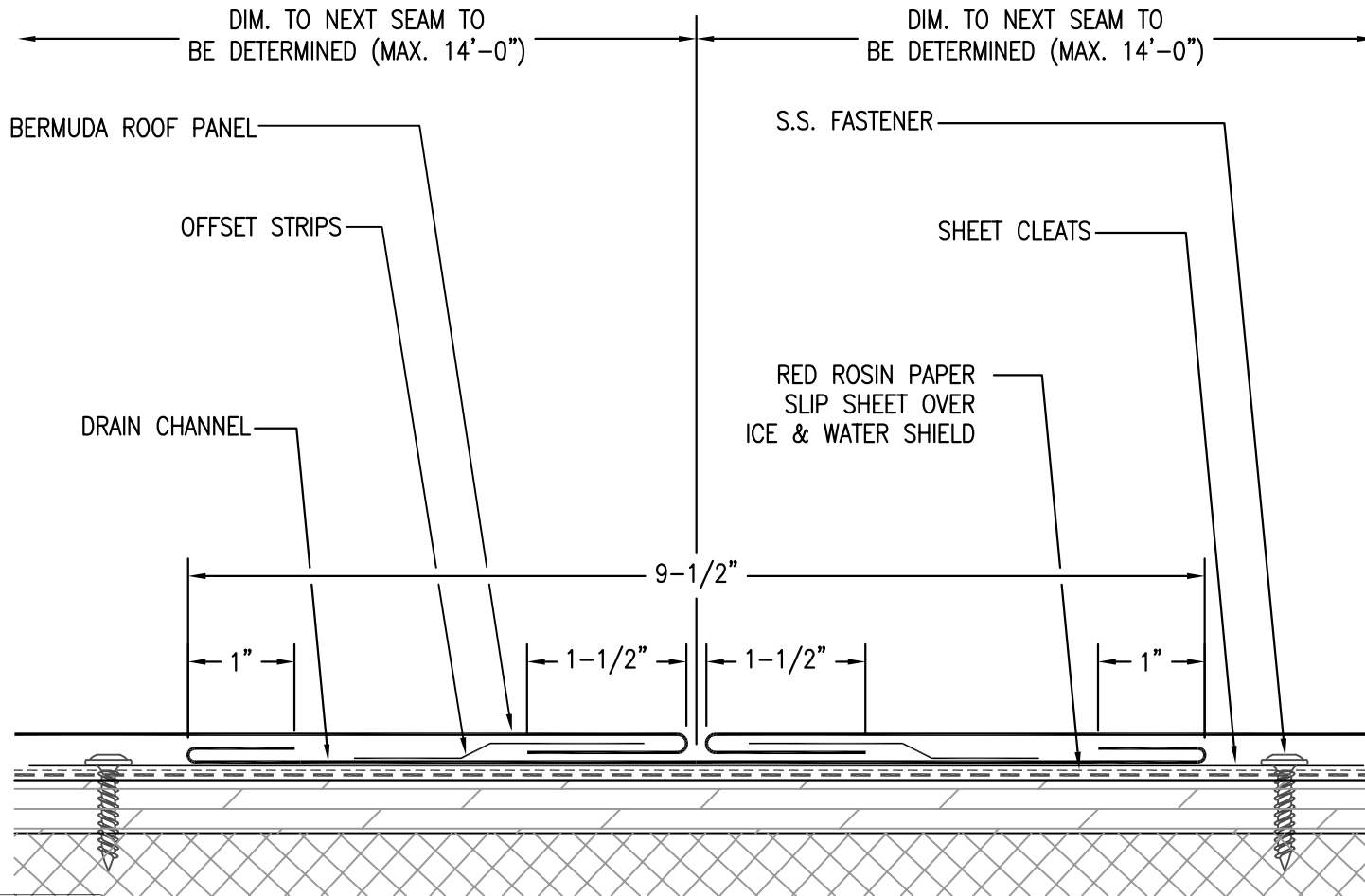


1551 WOODWARD DRIVE EXT.
 GREENSBURG, PA 15601-0070
 PHONE: 724-834-7300 | FAX: 724-830-2877
 WWW.OVERLY.COM
 AN ISO 9001 : 2000 REGISTERED COMPANY

PROJECT: BERMUDA CATALOG DETAILS

SHEET TITLE: EXPLODED ASSEMBLY ISOMETRIC

| | |
|-------------|------------|
| PROJECT #: | BR CATALOG |
| DATE: | 2012 |
| DRAWN BY: | |
| CHECKED BY: | |
| SCALE: | N.T.S. |
| REV: | SHEET #: |
| 0 | SK-2.0 |



GENERAL NOTES:
 1. THIS DETAIL IS BEING PROVIDED TO ILLUSTRATE THE BASIC DESIGN OF THE OVERLY SYSTEM.
 2. PANEL SIZE DEPENDS UPON PROJECT CONDITIONS.
 3. VARIOUS MATERIAL TYPES ARE AVAILABLE.
 4. FASTENING METHODS TO MEET PROJECT REQUIREMENTS.
 5. JOB SPECIFIC DETAILING IS AVAILABLE UPON REQUEST.
 6. CONTACT OVERLY FOR CONSULTATION ON SPECIFIC CONDITIONS AND APPLICATIONS FOR YOUR PARTICULAR PROJECT.

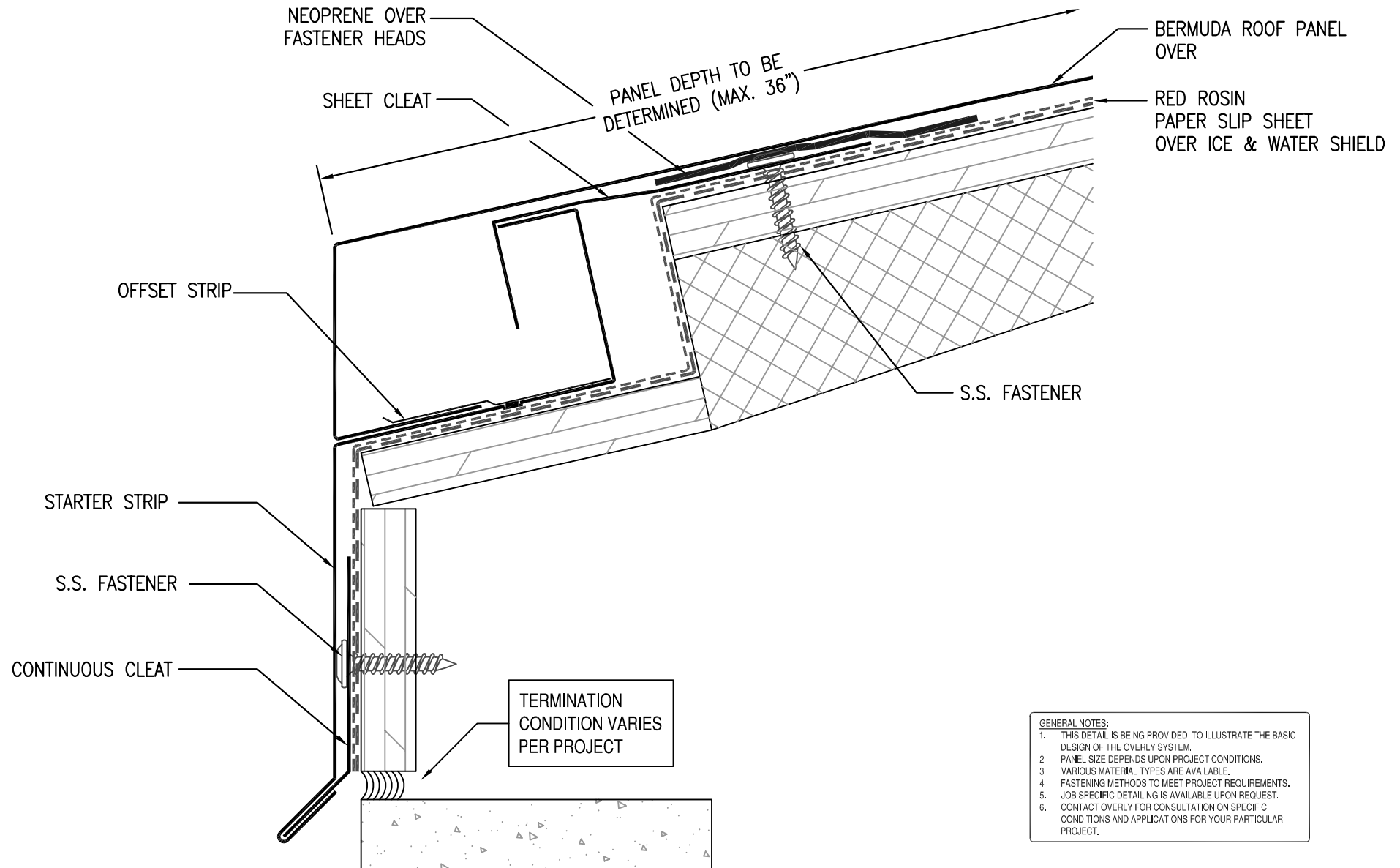


1551 WOODWARD DRIVE EXT.
 GREENSBURG, PA 15601-0070
 PHONE: 724-834-7300 | FAX: 724-830-2877
 WWW.OVERLY.COM
 AN ISO 9001 : 2000 REGISTERED COMPANY

PROJECT: BERMUDA CATALOG DETAILS

SHEET TITLE: SECTION THRU DRAIN CHANNEL ASSEMBLY

| | |
|-------------|------------|
| PROJECT #: | BR CATALOG |
| DATE: | 2012 |
| DRAWN BY: | |
| CHECKED BY: | |
| SCALE: | N.T.S. |
| REV: | 0 |
| SHEET #: | SK-3.0 |



GENERAL NOTES:

1. THIS DETAIL IS BEING PROVIDED TO ILLUSTRATE THE BASIC DESIGN OF THE OVERLY SYSTEM.
2. PANEL SIZE DEPENDS UPON PROJECT CONDITIONS.
3. VARIOUS MATERIAL TYPES ARE AVAILABLE.
4. FASTENING METHODS TO MEET PROJECT REQUIREMENTS.
5. JOB SPECIFIC DETAILING IS AVAILABLE UPON REQUEST.
6. CONTACT OVERLY FOR CONSULTATION ON SPECIFIC CONDITIONS AND APPLICATIONS FOR YOUR PARTICULAR PROJECT.

PROJECT:

BERMUDA CATALOG DETAILS

PROJECT #: BR CATALOG

DATE: 2012

DRAWN BY:

CHECKED BY:

SCALE: N.T.S.

REV:

0

SHEET #:

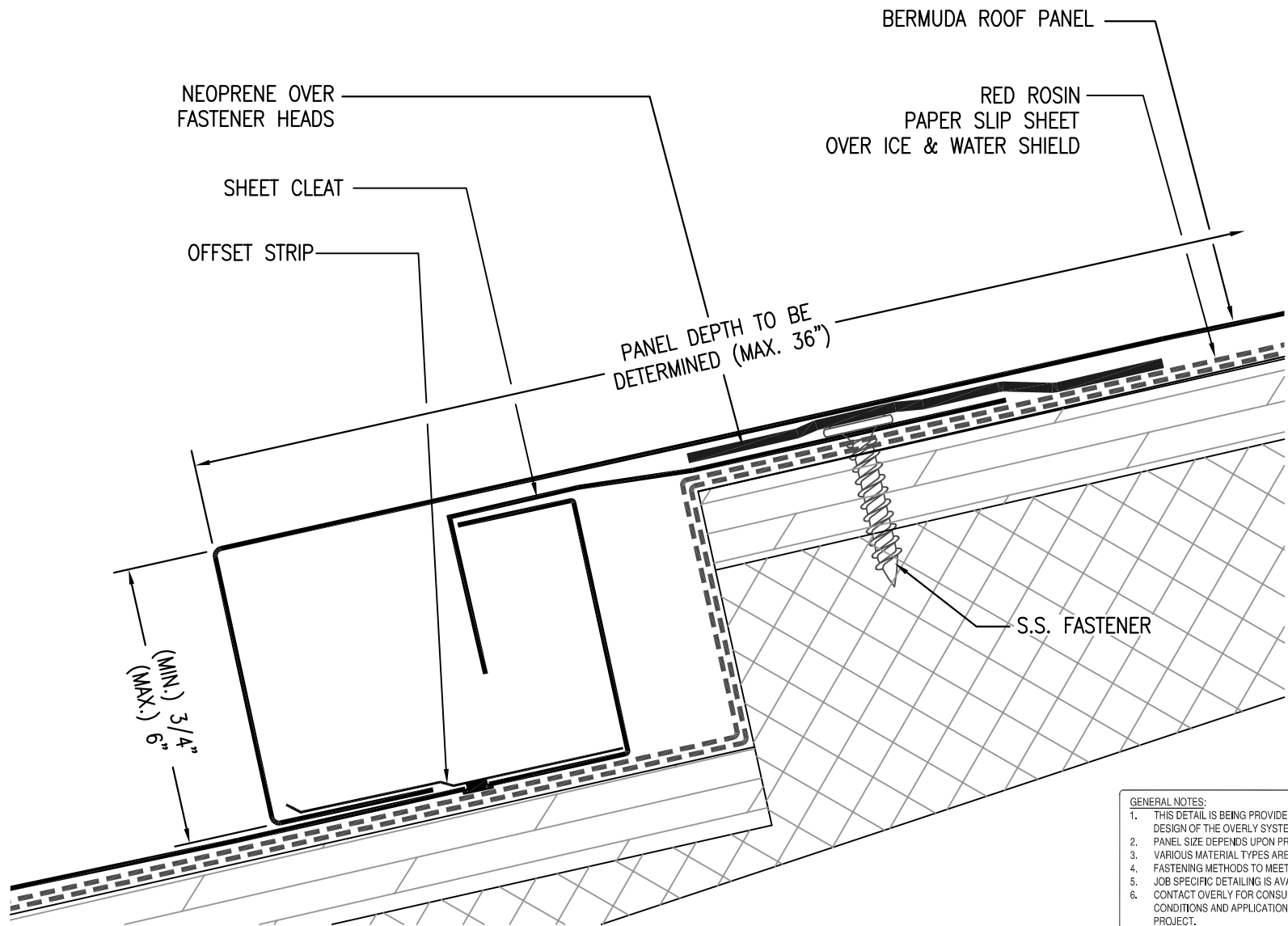
SK-4.0

SHEET TITLE:

SECTION THRU STARTER FLASHING



1551 WOODWARD DRIVE EXT.
 GREENSBURG, PA 15601-0070
 PHONE: 724-834-7300 | FAX: 724-830-2877
 WWW.OVERLY.COM
 AN ISO 9001 : 2000 REGISTERED COMPANY



- GENERAL NOTES:
1. THIS DETAIL IS BEING PROVIDED TO ILLUSTRATE THE BASIC DESIGN OF THE OVERLY SYSTEM.
 2. PANEL SIZE DEPENDS UPON PROJECT CONDITIONS.
 3. VARIOUS MATERIAL TYPES ARE AVAILABLE.
 4. FASTENING METHODS TO MEET PROJECT REQUIREMENTS.
 5. JOB SPECIFIC DETAILING IS AVAILABLE UPON REQUEST.
 6. CONTACT OVERLY FOR CONSULTATION ON SPECIFIC CONDITIONS AND APPLICATIONS FOR YOUR PARTICULAR PROJECT.

OVERLY
MANUFACTURING COMPANY

1551 WOODWARD DRIVE EXT.
GREENSBURG, PA 15601-0070
PHONE: 724-834-7300 | FAX: 724-830-2877
WWW.OVERLY.COM
AN ISO 9001 : 2000 REGISTERED COMPANY

PROJECT:

BERMUDA CATALOG DETAILS

SHEET TITLE:

SECTION THRU PANEL STEP

PROJECT #: BR CATALOG

DATE: 2012

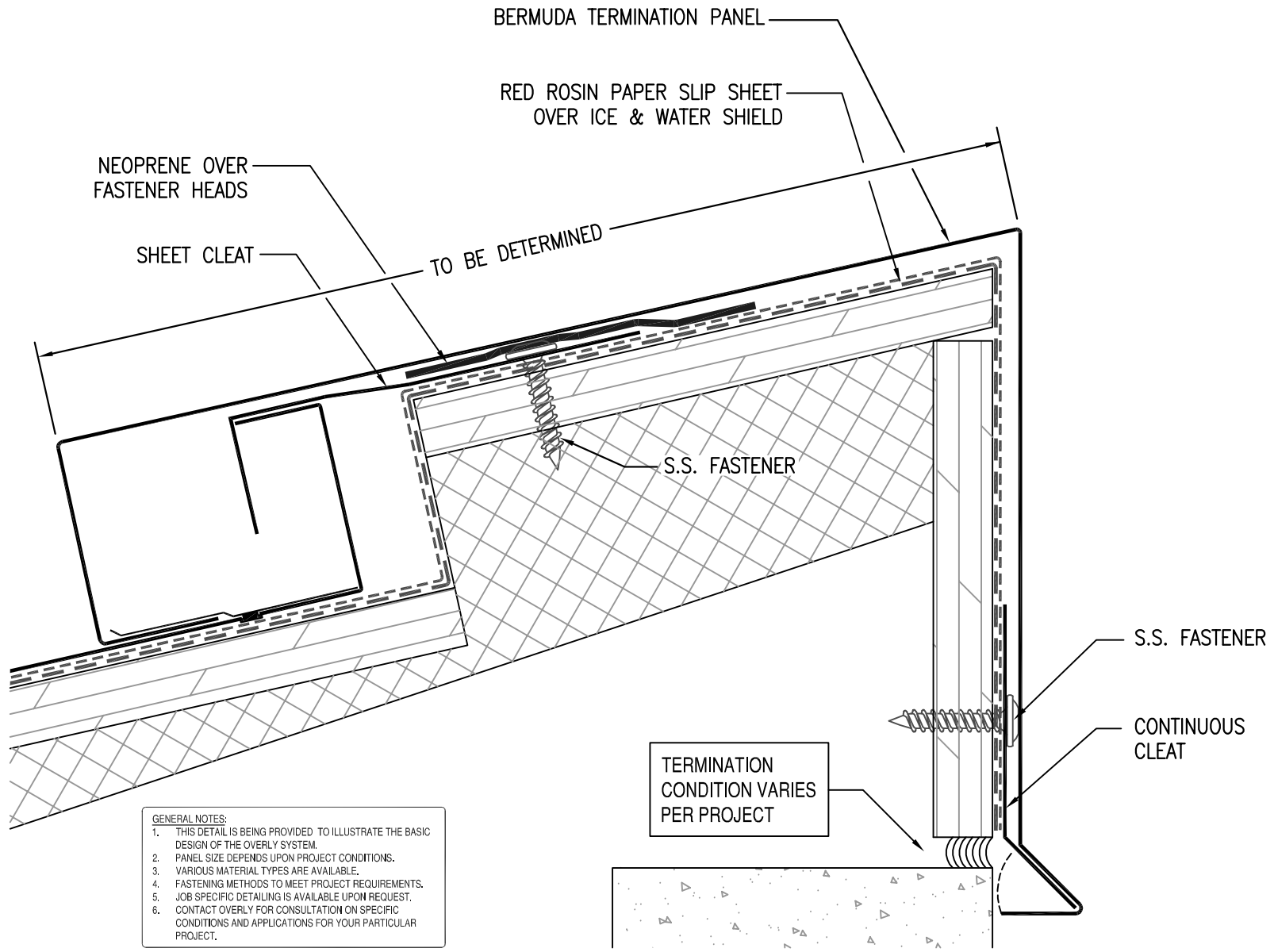
DRAWN BY:

CHECKED BY:

SCALE: FULL SIZE

REV: 0

SHEET #: SK-5.0



- GENERAL NOTES:**
1. THIS DETAIL IS BEING PROVIDED TO ILLUSTRATE THE BASIC DESIGN OF THE OVERLY SYSTEM.
 2. PANEL SIZE DEPENDS UPON PROJECT CONDITIONS.
 3. VARIOUS MATERIAL TYPES ARE AVAILABLE.
 4. FASTENING METHODS TO MEET PROJECT REQUIREMENTS.
 5. JOB SPECIFIC DETAILING IS AVAILABLE UPON REQUEST.
 6. CONTACT OVERLY FOR CONSULTATION ON SPECIFIC CONDITIONS AND APPLICATIONS FOR YOUR PARTICULAR PROJECT.

TERMINATION
CONDITION VARIES
PER PROJECT

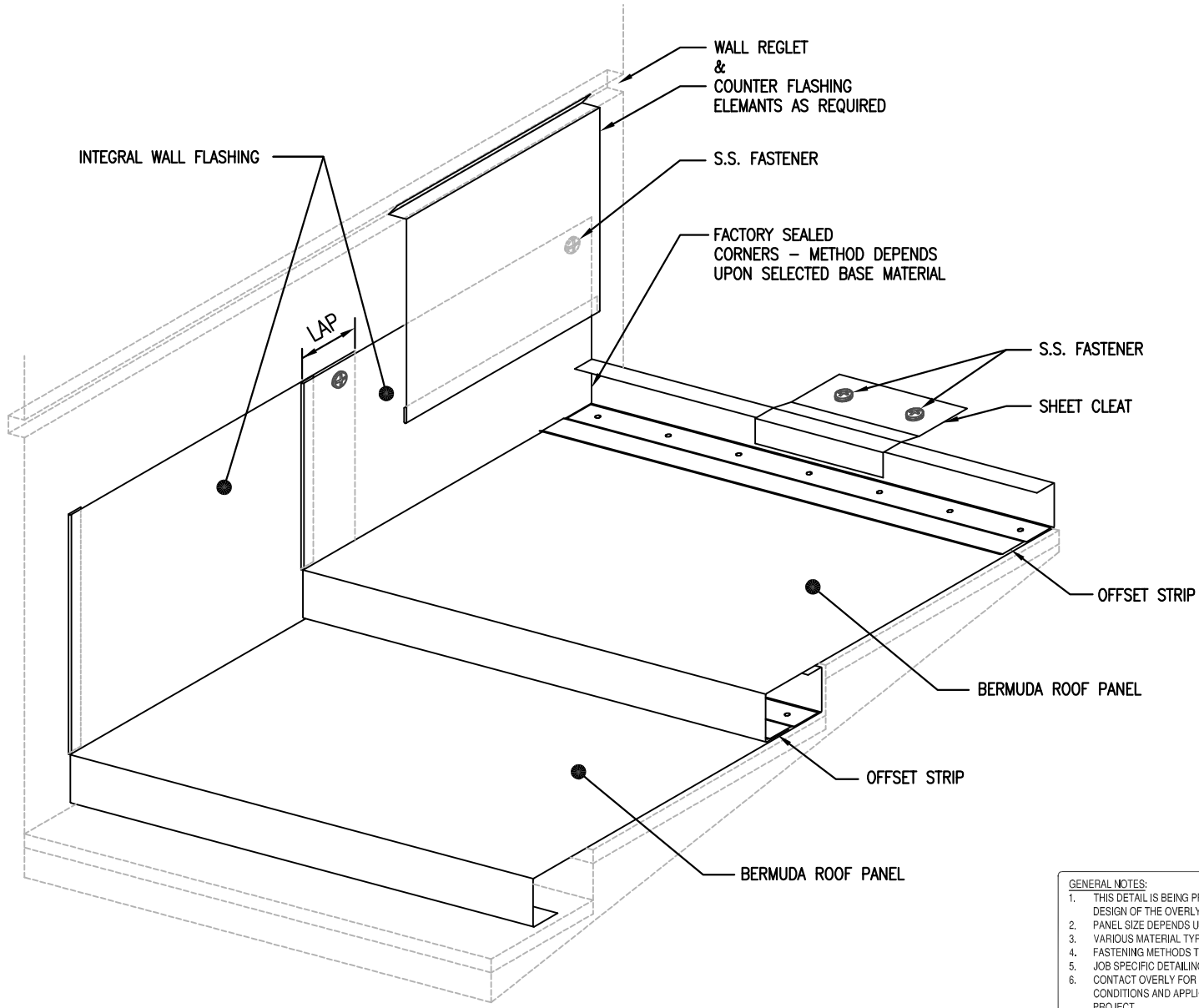


1551 WOODWARD DRIVE EXT.
GREENSBURG, PA 15601-0070
PHONE: 724-834-7300 | FAX: 724-830-2877
WWW.OVERLY.COM
AN ISO 9001 : 2000 REGISTERED COMPANY

PROJECT: BERMUDA CATALOG DETAILS

SHEET TITLE: SECTION THRU TERMINATION DETAIL

| | |
|-------------|------------|
| PROJECT #: | BR CATALOG |
| DATE: | 2012 |
| DRAWN BY: | |
| CHECKED BY: | |
| SCALE: | N.T.S. |
| REV: | SHEET #: |
| 0 | SK-6.0 |



- GENERAL NOTES:**
1. THIS DETAIL IS BEING PROVIDED TO ILLUSTRATE THE BASIC DESIGN OF THE OVERLY SYSTEM.
 2. PANEL SIZE DEPENDS UPON PROJECT CONDITIONS.
 3. VARIOUS MATERIAL TYPES ARE AVAILABLE.
 4. FASTENING METHODS TO MEET PROJECT REQUIREMENTS.
 5. JOB SPECIFIC DETAILING IS AVAILABLE UPON REQUEST.
 6. CONTACT OVERLY FOR CONSULTATION ON SPECIFIC CONDITIONS AND APPLICATIONS FOR YOUR PARTICULAR PROJECT.

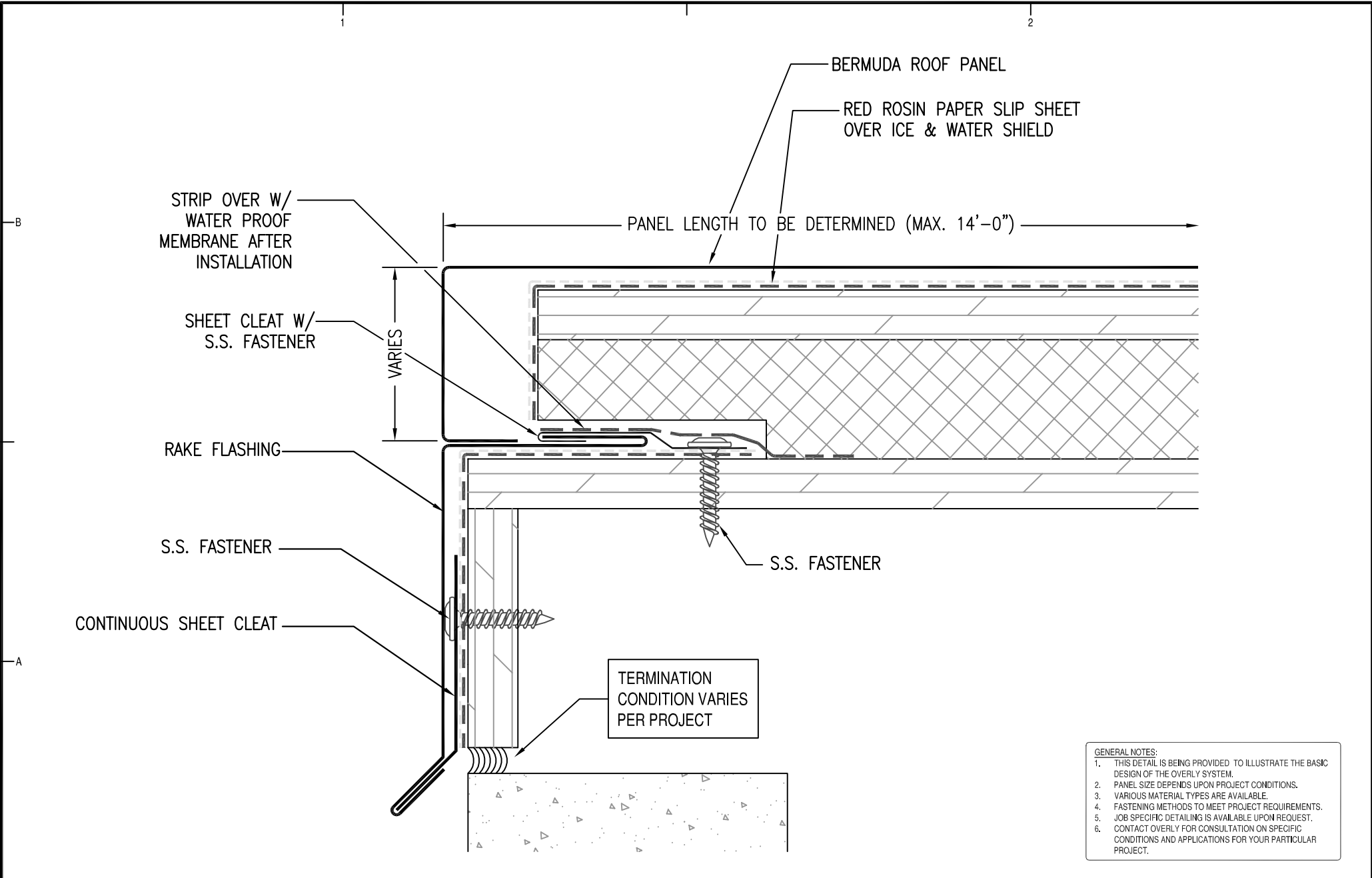
PROJECT: BERMUDA CATALOG DETAILS

SHEET TITLE: RAKE WALL FLASHING ISOMETRIC

| | |
|-------------|------------|
| PROJECT #: | BR CATALOG |
| DATE: | 2012 |
| DRAWN BY: | |
| CHECKED BY: | |
| SCALE: | N.T.S. |
| REV: | 0 |
| SHEET #: | SK-7.0 |



1551 WOODWARD DRIVE EXT.
 GREENSBURG, PA 15601-0070
 PHONE: 724-834-7300 | FAX: 724-830-2877
 WWW.OVERLY.COM
 AN ISO 9001 : 2000 REGISTERED COMPANY



OVERLY
MANUFACTURING COMPANY

1551 WOODWARD DRIVE EXT.
GREENSBURG, PA 15601-0070
PHONE: 724-834-7300 | FAX: 724-830-2877
WWW.OVERLY.COM
AN ISO 9001 : 2000 REGISTERED COMPANY

PROJECT:

BERMUDA CATALOG DETAILS

SHEET TITLE:

SECTION THRU RAKE CONDITION

PROJECT #: BR CATALOG

DATE: 2012

DRAWN BY:

CHECKED BY:

SCALE: N.T.S.

REV:

0

SHEET #:

SK-8.0