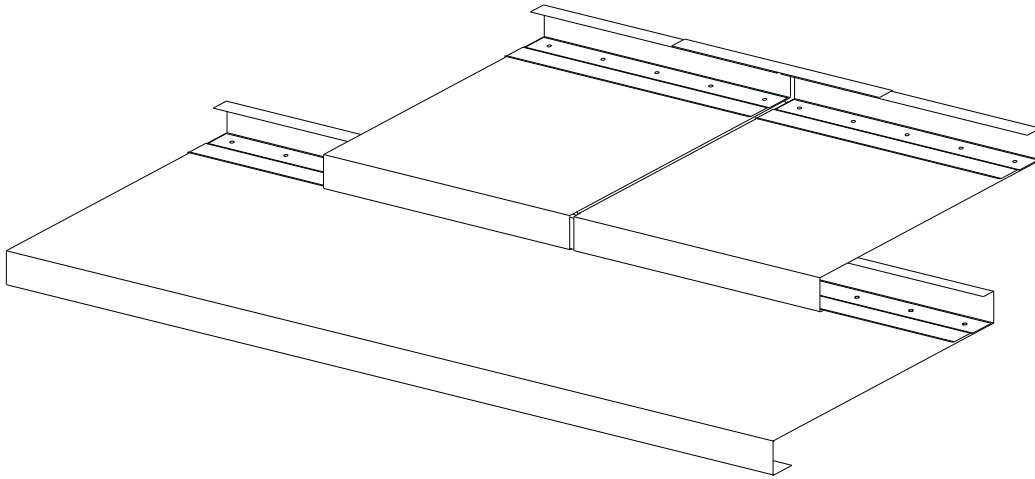


System Design Data

Bermuda Profile



Applications:

Overly Bermuda systems can be installed on roofs and walls. It is used on straight sloped, barrel vaults, domes and surfaces of complex varying geometry.

Max. Panel Dimensions

Step Height

3/4" Min. - 6" Max.

Panel Length

14'-0" Max.

Panel Depth

36" Max.

(Contact Overly for max. panel width for materials listed below)

Materials:

Material Type

Aluminum
Titanium
Stainless Steel
Terne Coat Stainless Steel
Copper

Gauges/ Weights

.040" - .050"
.018" - .024"
.024" - .035"
.018" - .024"
20oz. - 24o.z.

Finishes

Mill, Painted, Embossed
(Grade-1) Mill
2B, 2D, #4, Dull Matte
Standard, Pre-Weathered
Cold Rolled, Lead Coated, Prepatinated, Embossed

(All materials used by Overly are non-ferrous)

Standards & Tests:

ASTM E-283, ASTM E-330, ASTM E-331, UL580 CLASS 90
(Equivalent British Standards & Hong Kong Code of Practice)

Contact an Overly sales representative to discuss modification, special conditions and materials for your particular application.