

**GENERAL NOTES:**

1. THIS DETAIL IS BEING PROVIDED TO ILLUSTRATE THE BASIC DESIGN OF THE OVERLY SYSTEM.
2. PANEL SIZE DEPENDS UPON PROJECT CONDITIONS.
3. VARIOUS MATERIAL TYPES ARE AVAILABLE.
4. FASTENING METHODS TO MEET PROJECT REQUIREMENTS. JOB SPECIFIC DETAILING IS AVAILABLE UPON REQUEST.
5. CONTACT OVERLY FOR CONSULTATION ON SPECIFIC CONDITIONS AND APPLICATIONS FOR YOUR PARTICULAR PROJECT.



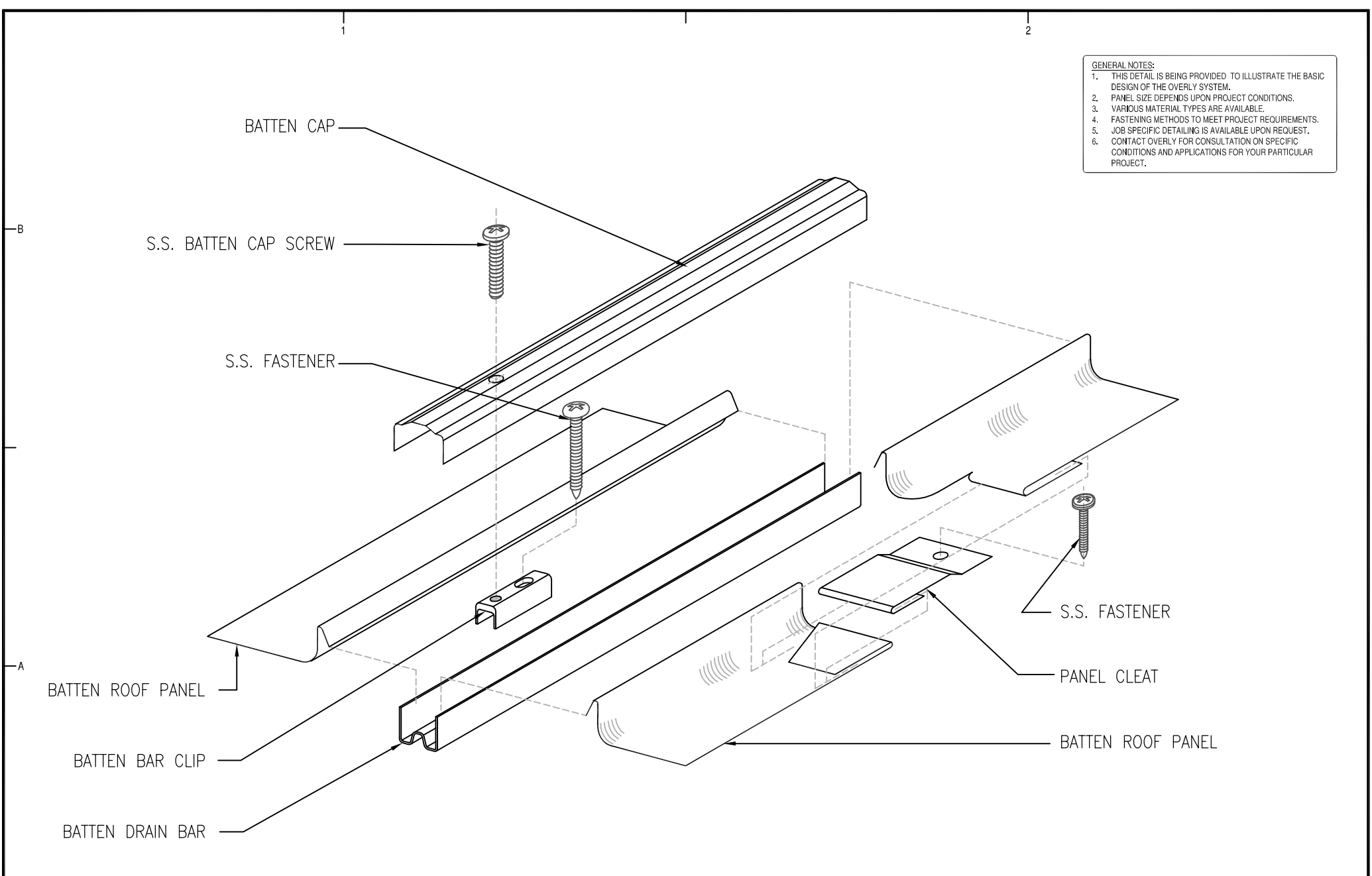
1551 WOODWARD DRIVE EXT.  
 GREENSBURG, PA 15601-0070  
 PHONE: 724-834-7300 | FAX: 724-830-2877  
 WWW.OVERLY.COM  
 AN ISO 9001 : 2000 REGISTERED COMPANY

PROJECT: **BATTEN TYPE "A" CATALOG DETAILS**

SHEET TITLE: **ASSEMBLY ISOMETRIC**

PROJECT #:	BT-A CATALOG
DATE:	2012
DRAWN BY:	
CHECKED BY:	
SCALE:	NOT TO SCALE
REV:	0
SHEET #:	SK-1.0

- GENERAL NOTES:**
1. THIS DETAIL IS BEING PROVIDED TO ILLUSTRATE THE BASIC DESIGN OF THE OVERLY SYSTEM.
  2. PANEL SIZE DEPENDS UPON PROJECT CONDITIONS.
  3. VARIOUS MATERIAL TYPES ARE AVAILABLE.
  4. FASTENING METHODS TO MEET PROJECT REQUIREMENTS.
  5. JOB SPECIFIC DETAILING IS AVAILABLE UPON REQUEST.
  6. CONTACT OVERLY FOR CONSULTATION ON SPECIFIC CONDITIONS AND APPLICATIONS FOR YOUR PARTICULAR PROJECT.

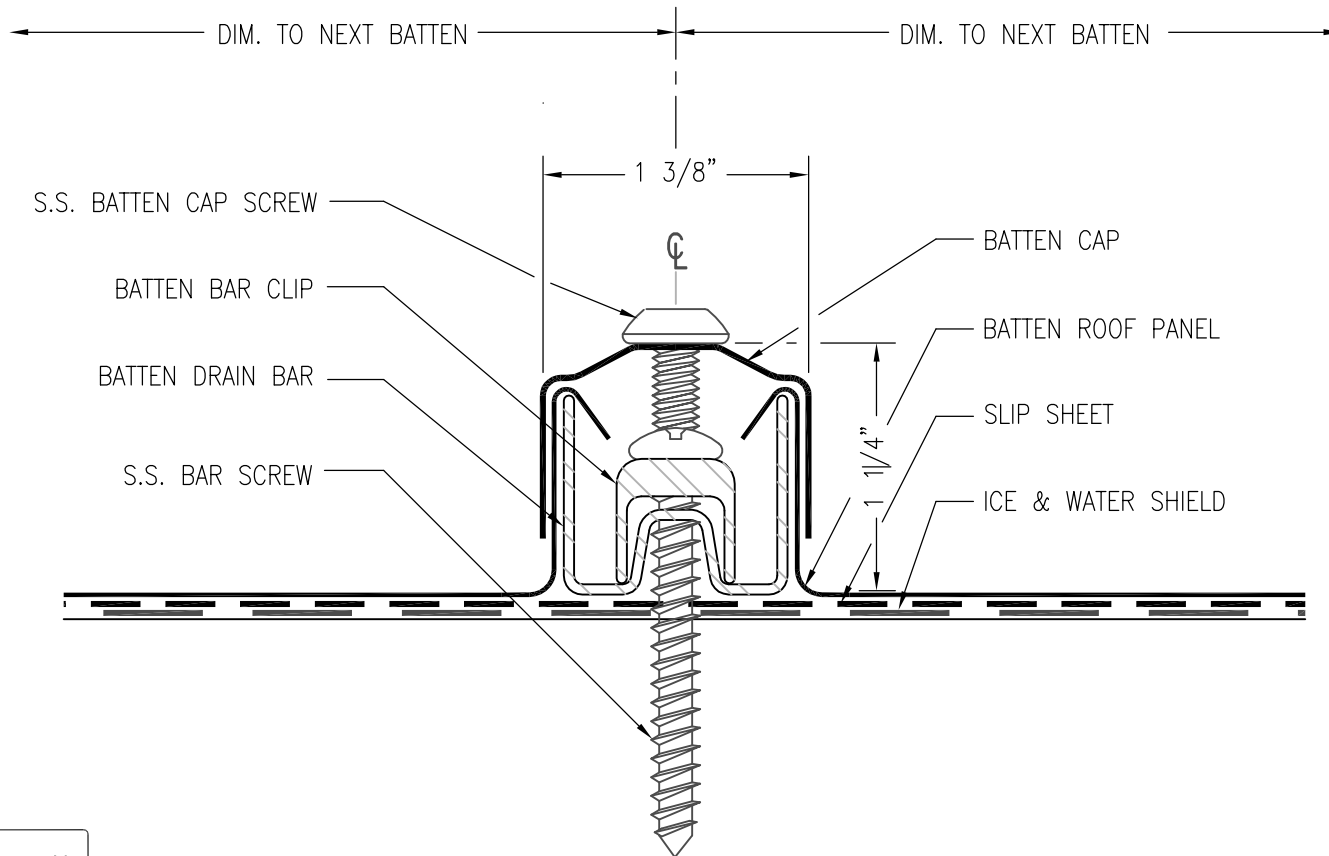


1551 WOODWARD DRIVE EXT.  
 GREENSBURG, PA 15601-0070  
 PHONE: 724-834-7300 | FAX: 724-830-2877  
 WWW.OVERLY.COM  
 AN ISO 9001 : 2000 REGISTERED COMPANY

PROJECT:  
**BATTEN TYPE "A" CATALOG DETAILS**

SHEET TITLE:  
**EXPLODED ASSEMBLY ISOMETRIC**

PROJECT #:	BT-A CATALOG
DATE:	2012
DRAWN BY:	
CHECKED BY:	
SCALE:	NOT TO SCALE
REV:	SHEET #:
0	SK-2.0



**GENERAL NOTES:**

1. THIS DETAIL IS BEING PROVIDED TO ILLUSTRATE THE BASIC DESIGN OF THE OVERLY SYSTEM.
2. PANEL SIZE DEPENDS UPON PROJECT CONDITIONS.
3. VARIOUS MATERIAL TYPES ARE AVAILABLE.
4. FASTENING METHODS TO MEET PROJECT REQUIREMENTS.
5. JOB SPECIFIC DETAILING IS AVAILABLE UPON REQUEST.
6. CONTACT OVERLY FOR CONSULTATION ON SPECIFIC CONDITIONS AND APPLICATIONS FOR YOUR PARTICULAR PROJECT.

**OVERLY**  
MANUFACTURING COMPANY

1551 WOODWARD DRIVE EXT.  
GREENSBURG, PA 15601-0070  
PHONE: 724-834-7300 | FAX: 724-830-2877  
WWW.OVERLY.COM  
AN ISO 9001 : 2000 REGISTERED COMPANY

PROJECT:

BATTEN TYPE "A" CATALOG DETAILS

SHEET TITLE:

BATTEN DETAIL

PROJECT #: BT-A CATALOG

DATE: 2012

DRAWN BY:

CHECKED BY:

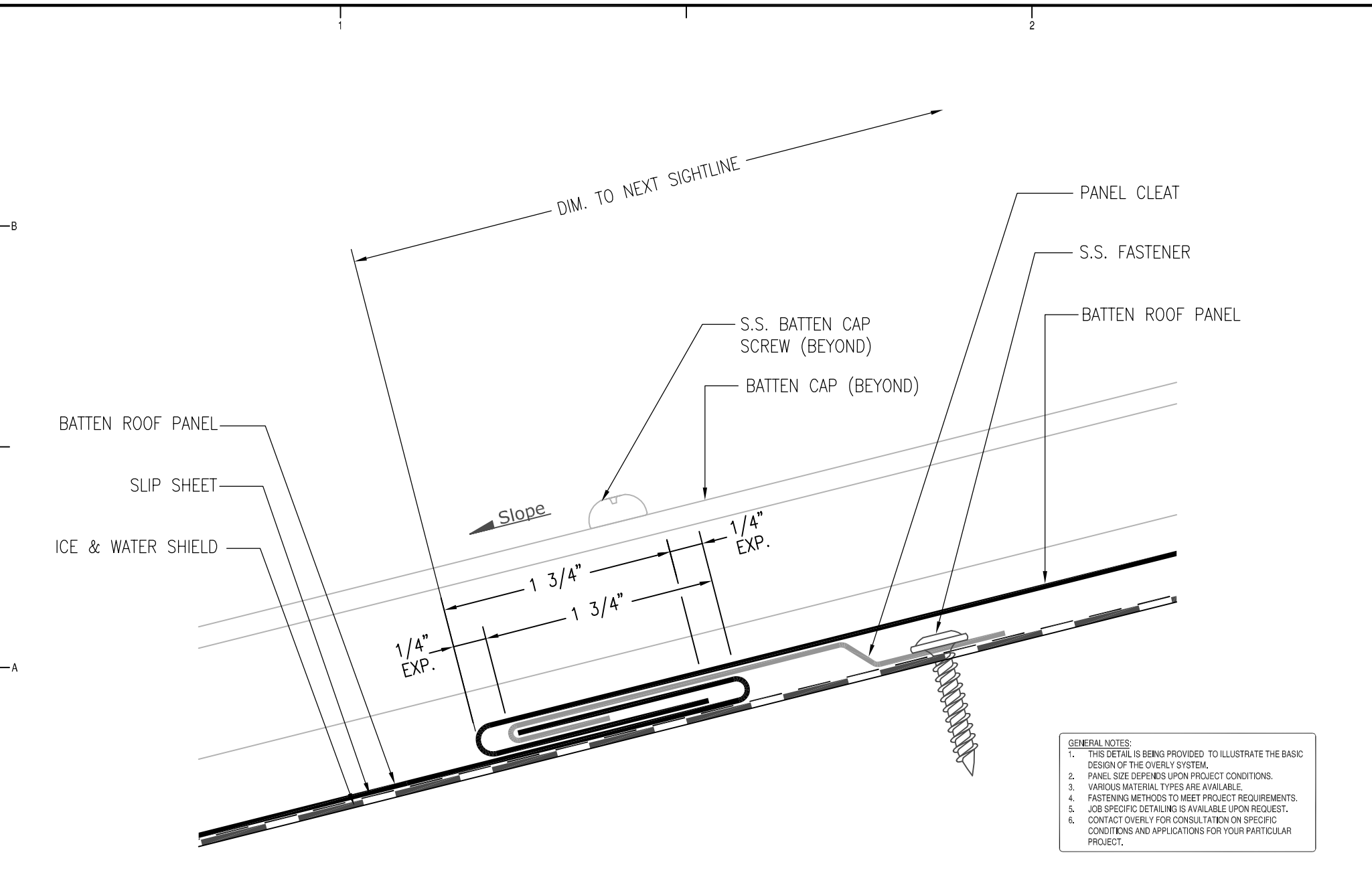
SCALE: NOT TO SCALE

REV:

0

SHEET #:

SK-3.0



- GENERAL NOTES:**
1. THIS DETAIL IS BEING PROVIDED TO ILLUSTRATE THE BASIC DESIGN OF THE OVERLY SYSTEM.
  2. PANEL SIZE DEPENDS UPON PROJECT CONDITIONS.
  3. VARIOUS MATERIAL TYPES ARE AVAILABLE.
  4. FASTENING METHODS TO MEET PROJECT REQUIREMENTS.
  5. JOB SPECIFIC DETAILING IS AVAILABLE UPON REQUEST.
  6. CONTACT OVERLY FOR CONSULTATION ON SPECIFIC CONDITIONS AND APPLICATIONS FOR YOUR PARTICULAR PROJECT.

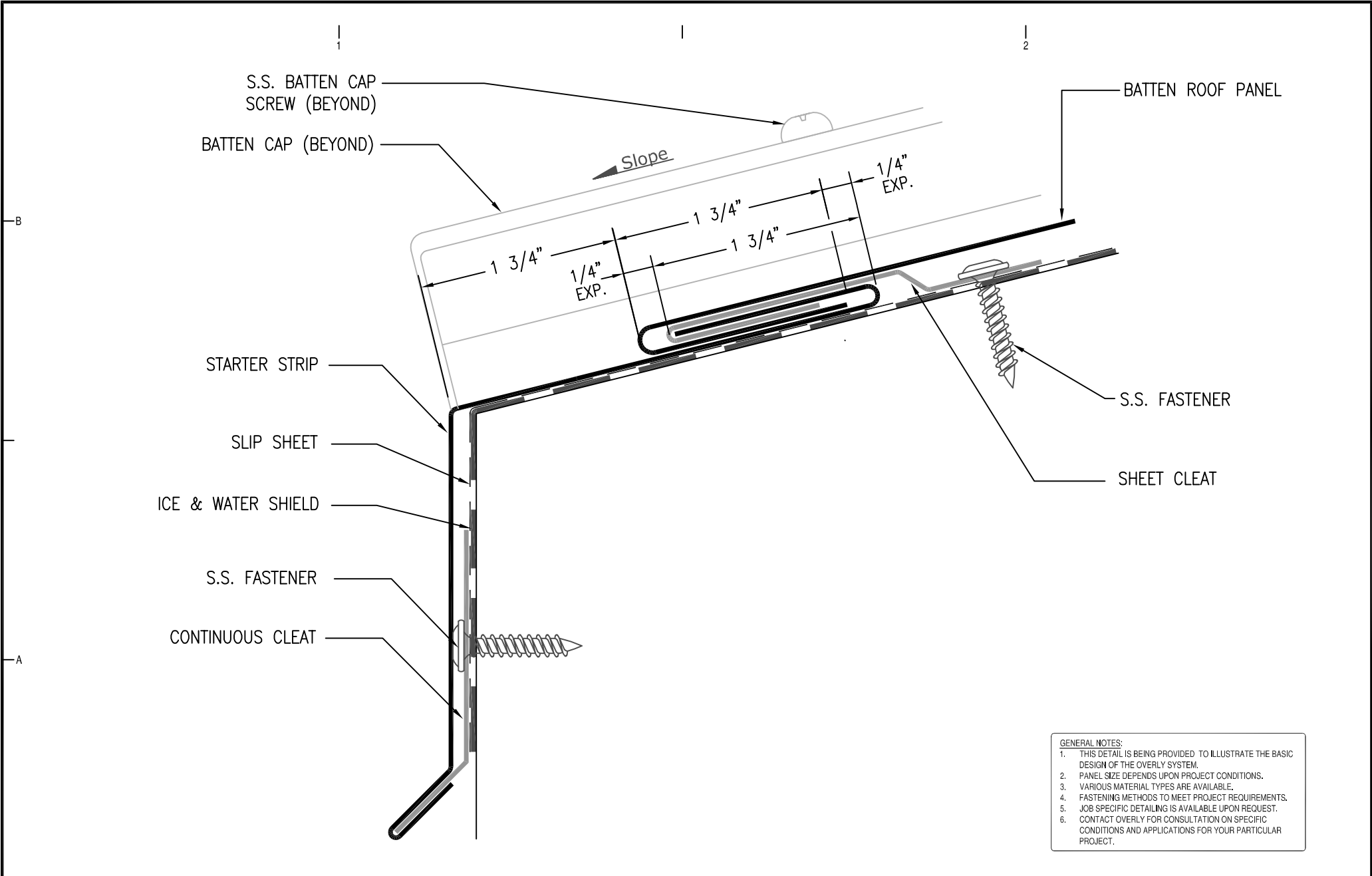


1551 WOODWARD DRIVE EXT.  
 GREENSBURG, PA 15601-0070  
 PHONE: 724-834-7300 | FAX: 724-830-2877  
 WWW.OVERLY.COM  
 AN ISO 9001 : 2000 REGISTERED COMPANY

PROJECT: **BATTEN TYPE "A" CATALOG DETAILS**

SHEET TITLE: **TRANSVERSE SEAM DETAIL**

PROJECT #:	BT-A CATALOG
DATE:	2012
DRAWN BY:	
CHECKED BY:	
SCALE:	NOT TO SCALE
REV:	0
SHEET #:	SK-4.0



- GENERAL NOTES:**
1. THIS DETAIL IS BEING PROVIDED TO ILLUSTRATE THE BASIC DESIGN OF THE OVERLY SYSTEM.
  2. PANEL SIZE DEPENDS UPON PROJECT CONDITIONS.
  3. VARIOUS MATERIAL TYPES ARE AVAILABLE.
  4. FASTENING METHODS TO MEET PROJECT REQUIREMENTS.
  5. JOB SPECIFIC DETAILING IS AVAILABLE UPON REQUEST.
  6. CONTACT OVERLY FOR CONSULTATION ON SPECIFIC CONDITIONS AND APPLICATIONS FOR YOUR PARTICULAR PROJECT.

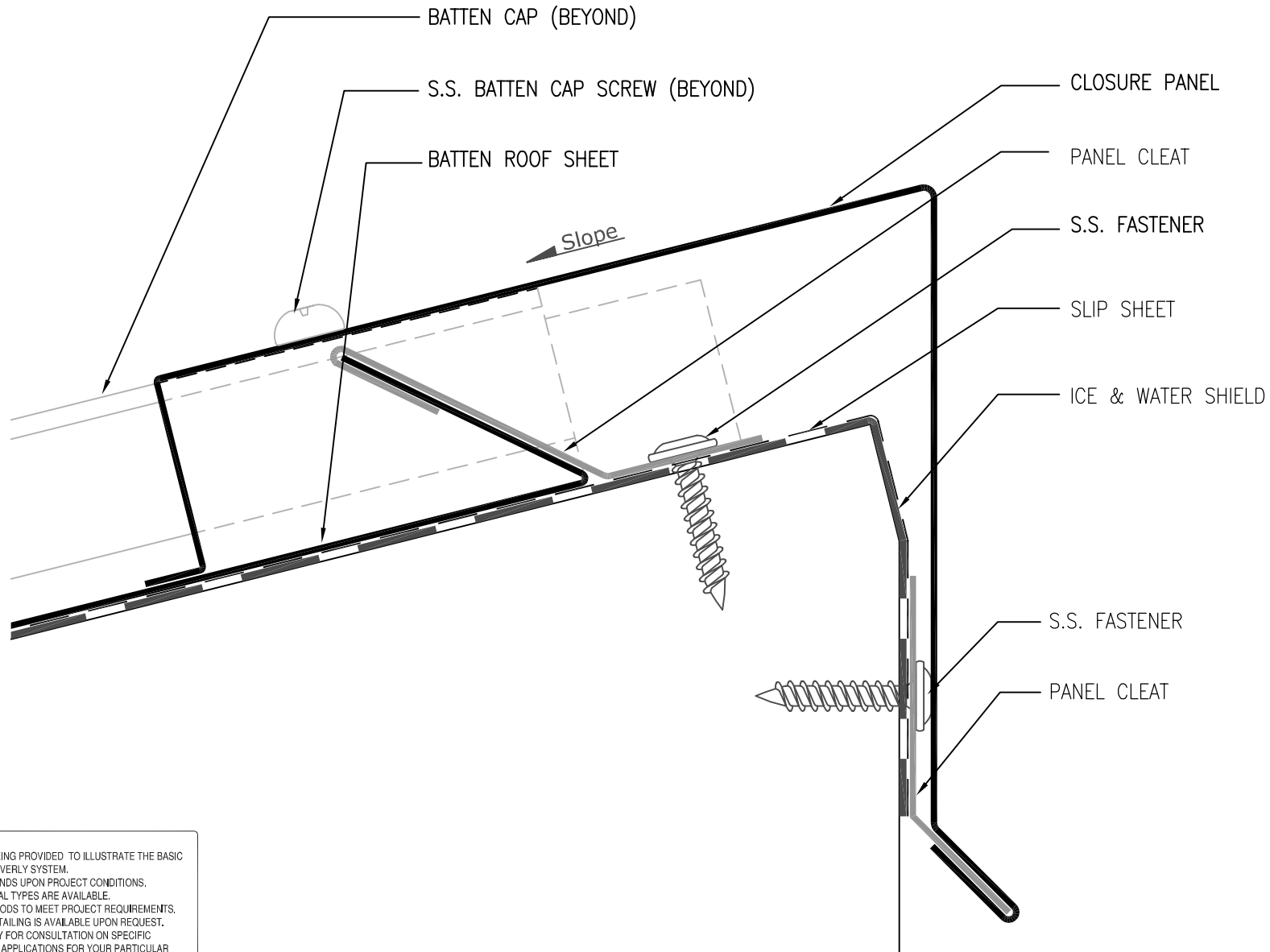


1551 WOODWARD DRIVE EXT.  
 GREENSBURG, PA 15601-0070  
 PHONE: 724-834-7300 | FAX: 724-830-2877  
 WWW.OVERLY.COM  
 AN ISO 9001 : 2000 REGISTERED COMPANY

PROJECT: **BATTEN TYPE "A" CATALOG DETAILS**

SHEET TITLE: **STARTER FLASHING DETAIL**

PROJECT #:	BT-A CATALOG
DATE:	2012
DRAWN BY:	
CHECKED BY:	
SCALE:	NOT TO SCALE
REV:	0
SHEET #:	SK-5.0



- GENERAL NOTES:**
1. THIS DETAIL IS BEING PROVIDED TO ILLUSTRATE THE BASIC DESIGN OF THE OVERLY SYSTEM.
  2. PANEL SIZE DEPENDS UPON PROJECT CONDITIONS.
  3. VARIOUS MATERIAL TYPES ARE AVAILABLE.
  4. FASTENING METHODS TO MEET PROJECT REQUIREMENTS.
  5. JOB SPECIFIC DETAILING IS AVAILABLE UPON REQUEST.
  6. CONTACT OVERLY FOR CONSULTATION ON SPECIFIC CONDITIONS AND APPLICATIONS FOR YOUR PARTICULAR PROJECT.



1551 WOODWARD DRIVE EXT.  
 GREENSBURG, PA 15601-0070  
 PHONE: 724-834-7300 | FAX: 724-830-2877  
 WWW.OVERLY.COM  
 AN ISO 9001 : 2000 REGISTERED COMPANY

PROJECT:

BATTEN TYPE "A" CATALOG DETAILS

SHEET TITLE:

CLOSURE DETAIL

PROJECT #: BT-A CATALOG

DATE: 2012

DRAWN BY:

CHECKED BY:

SCALE: NOT TO SCALE

REV:

0

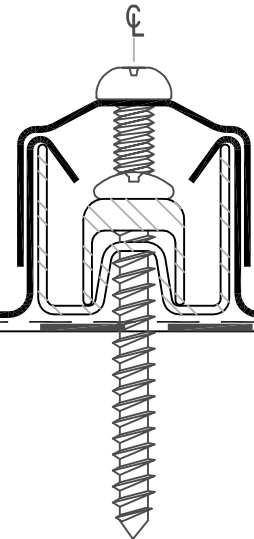
SHEET #:

SK-6.0

BATTEN ROOF PANEL

SLIP SHEET

ICE & WATER SHIELD



DIM AS REQUIRED  
MIN. 3"

S.S. FASTENER

PANEL CLEAT

- GENERAL NOTES:**
1. THIS DETAIL IS BEING PROVIDED TO ILLUSTRATE THE BASIC DESIGN OF THE OVERLY SYSTEM.
  2. PANEL SIZE DEPENDS UPON PROJECT CONDITIONS.
  3. VARIOUS MATERIAL TYPES ARE AVAILABLE.
  4. FASTENING METHODS TO MEET PROJECT REQUIREMENTS.
  5. JOB SPECIFIC DETAILING IS AVAILABLE UPON REQUEST.
  6. CONTACT OVERLY FOR CONSULTATION ON SPECIFIC CONDITIONS AND APPLICATIONS FOR YOUR PARTICULAR PROJECT.



1551 WOODWARD DRIVE EXT.  
GREENSBURG, PA 15601-0070  
PHONE: 724-834-7300 | FAX: 724-830-2877  
WWW.OVERLY.COM  
AN ISO 9001 : 2000 REGISTERED COMPANY

PROJECT:

BATTEN TYPE "A" CATALOG DETAILS

SHEET TITLE:

RAKE FLASHING DETAIL

PROJECT #: BT-A CATALOG

DATE: 2012

DRAWN BY:

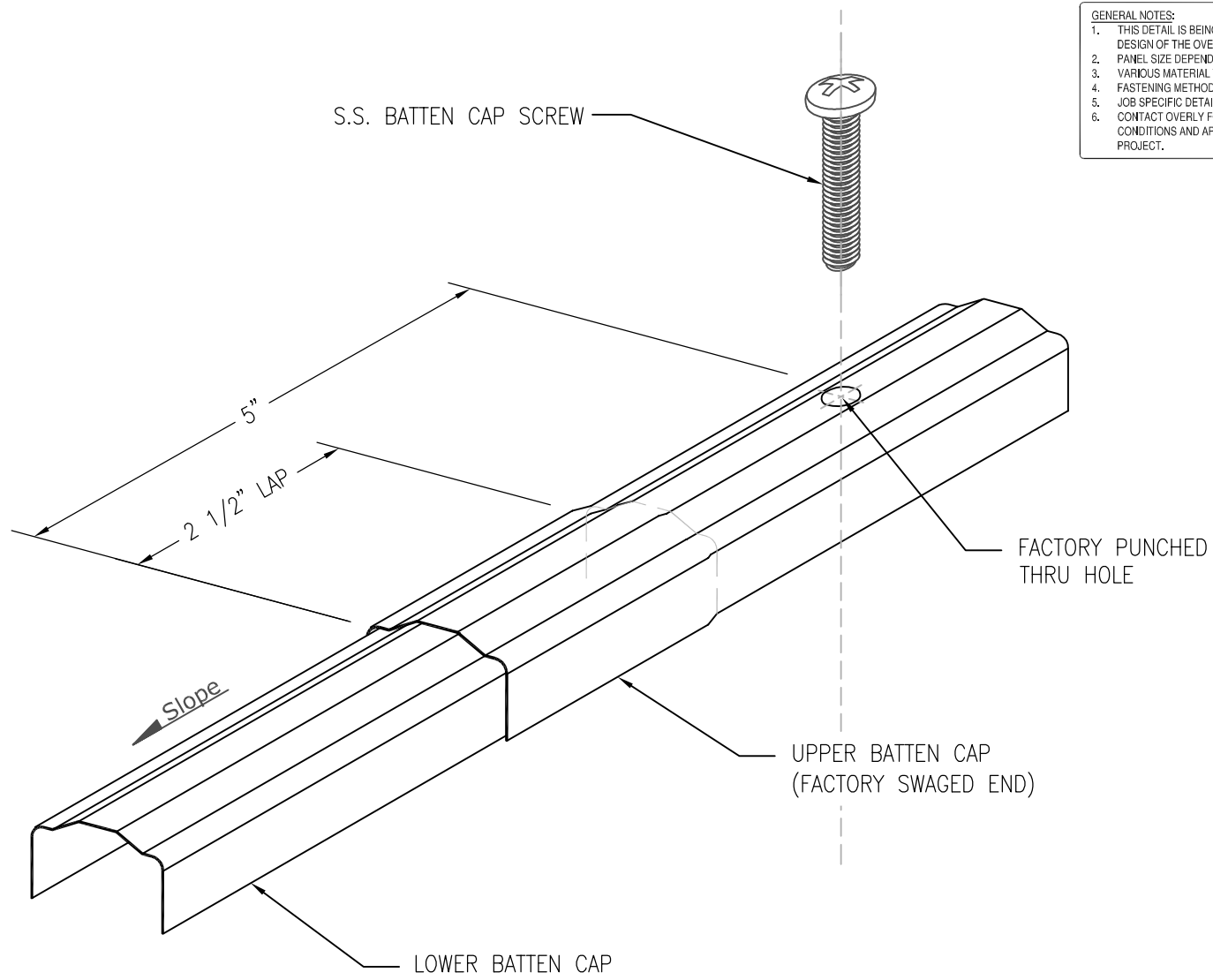
CHECKED BY:

SCALE: NOT TO SCALE

REV: 0

SHEET #: SK-7.0

- GENERAL NOTES:**
1. THIS DETAIL IS BEING PROVIDED TO ILLUSTRATE THE BASIC DESIGN OF THE OVERLY SYSTEM.
  2. PANEL SIZE DEPENDS UPON PROJECT CONDITIONS.
  3. VARIOUS MATERIAL TYPES ARE AVAILABLE.
  4. FASTENING METHODS TO MEET PROJECT REQUIREMENTS.
  5. JOB SPECIFIC DETAILING IS AVAILABLE UPON REQUEST.
  6. CONTACT OVERLY FOR CONSULTATION ON SPECIFIC CONDITIONS AND APPLICATIONS FOR YOUR PARTICULAR PROJECT.



1551 WOODWARD DRIVE EXT.  
 GREENSBURG, PA 15601-0070  
 PHONE: 724-834-7300 | FAX: 724-830-2877  
 WWW.OVERLY.COM  
 AN ISO 9001 : 2000 REGISTERED COMPANY

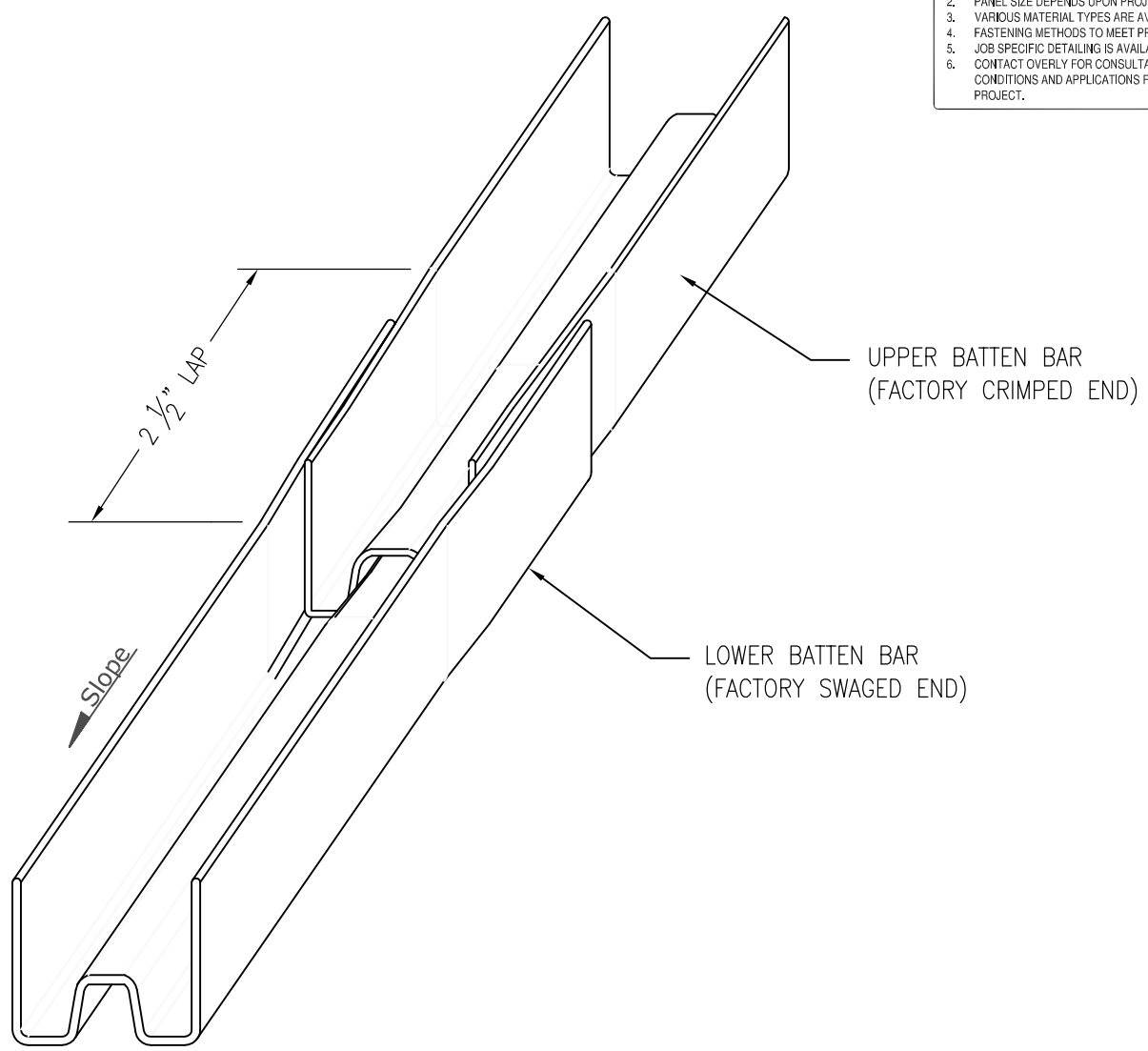
PROJECT: **BATTEN TYPE "A" CATALOG DETAILS**

SHEET TITLE: **CAP JOINT ISOMETRIC**

PROJECT #:	BT-A CATALOG
DATE:	2012
DRAWN BY:	
CHECKED BY:	
SCALE:	NOT TO SCALE
REV:	0
SHEET #:	SK-8.0



- GENERAL NOTES:**
1. THIS DETAIL IS BEING PROVIDED TO ILLUSTRATE THE BASIC DESIGN OF THE OVERLY SYSTEM.
  2. PANEL SIZE DEPENDS UPON PROJECT CONDITIONS.
  3. VARIOUS MATERIAL TYPES ARE AVAILABLE.
  4. FASTENING METHODS TO MEET PROJECT REQUIREMENTS.
  5. JOB SPECIFIC DETAILING IS AVAILABLE UPON REQUEST.
  6. CONTACT OVERLY FOR CONSULTATION ON SPECIFIC CONDITIONS AND APPLICATIONS FOR YOUR PARTICULAR PROJECT.

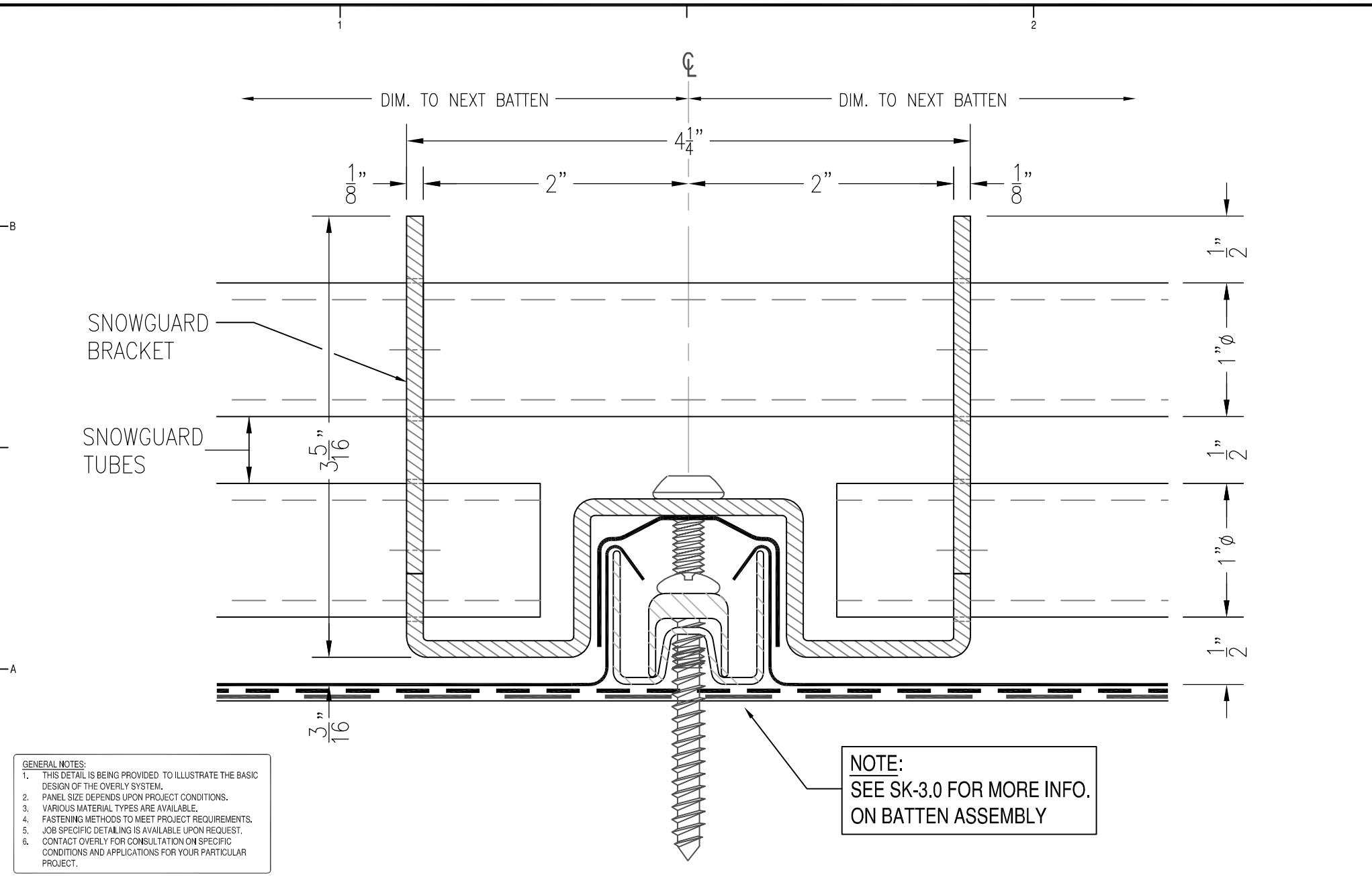


1551 WOODWARD DRIVE EXT.  
 GREENSBURG, PA 15601-0070  
 PHONE: 724-834-7300 | FAX: 724-830-2877  
 WWW.OVERLY.COM  
 AN ISO 9001 : 2000 REGISTERED COMPANY

PROJECT:  
**BATTEN TYPE "A" CATALOG DETAILS**

SHEET TITLE:  
**BAR JOINT ISOMETRIC**

PROJECT #:	BT-A CATALOG
DATE:	2012
DRAWN BY:	
CHECKED BY:	
SCALE:	NOT TO SCALE
REV:	SHEET #:
0	SK-9.0



1551 WOODWARD DRIVE EXT.  
GREENSBURG, PA 15601-0070  
PHONE: 724-834-7300 | FAX: 724-830-2877  
WWW.OVERLY.COM  
AN ISO 9001 : 2000 REGISTERED COMPANY

PROJECT:

BATTEN TYPE "A" CATALOG DETAILS

SHEET TITLE:

SNOWGAURD DETAIL

PROJECT #: BT-A CATALOG

DATE: 2012

DRAWN BY:

CHECKED BY:

SCALE: NOT TO SCALE

REV:

0

SHEET #:

SK-10.0